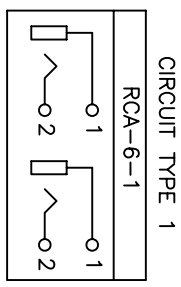
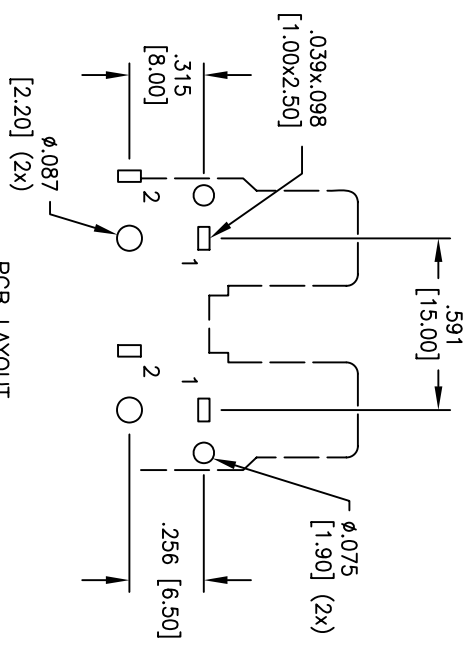
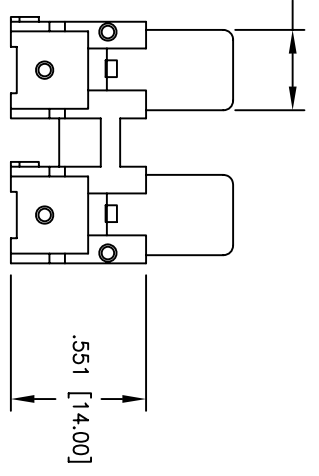
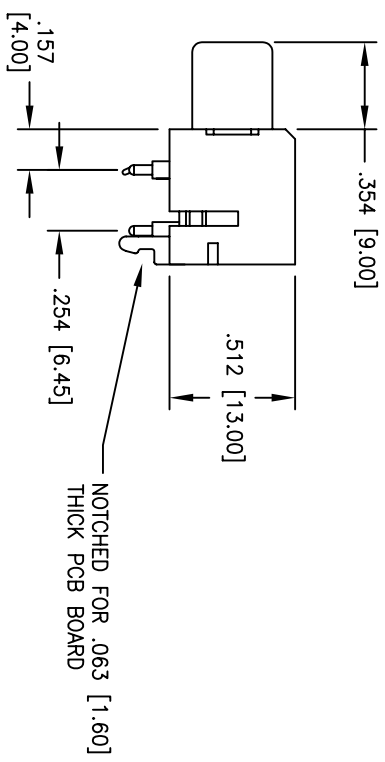
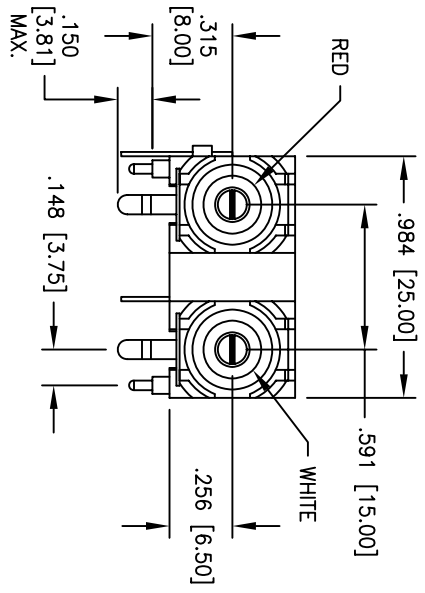


APPROVED: _____
 DATE: _____ TITLE: _____

Rev	AWO #	Description	Date	Appr
-		RELEASED	8/9/07	
A		ADDED .150 [3.81] MAX DIM.	8/17/07	



SPECIFICATIONS:

Material:
 Insulator: PBT, Glass reinforced, rated UL 94V-0
 Insulator colors: Red, Black, Yellow, White
 Bushing: Brass, Nickel plated
 Contacts: Brass
 Plating:
 Tin or Silver over Copper underplate

Electrical:
 Operating voltage: 12 VDC max.
 Current rating: 1 Amp max.
 Contact resistance: 30 mohms max. initial
 Insulation resistance: 100 Mohms min.
 Dielectric withstanding voltage: 500 VAC for 1 minute

Temperature Rating:
 Operating temperature: -25°C to +85°C

Environmental:
 Lead free, RoHS compliant.
 Recommended soldering temp: 235°C for 5 sec.



UNLESS OTHERWISE SPECIFIED ALL DIMENSIONS ARE IN INCHES [MM]	
TOLERANCES: EXCEPT AS NOTED	
INCHES	HOLES
.X ± .10	ØXX ± .10
.XX ± .020	ØXXX ± .015
.XXX ± .015	ØXXXX ± .010
APPROVALS	DATE
DRAWN	SS
CHECKED	
APPROVED	

ADAM TECH
 909 Rahway Avenue, Union, NJ 07083
 Phone: 908-687-5000 Fax: 908-687-5710

TITLE: RCA JACK, 2 PORTS, GANGED
 RED / WHITE, SPECIAL BOARD LOCKS

SIZE: X PART NO.: RCA-6-1-RW-RLT
 REF: SCALE: NTS SHEET 1 OF 1