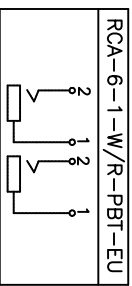
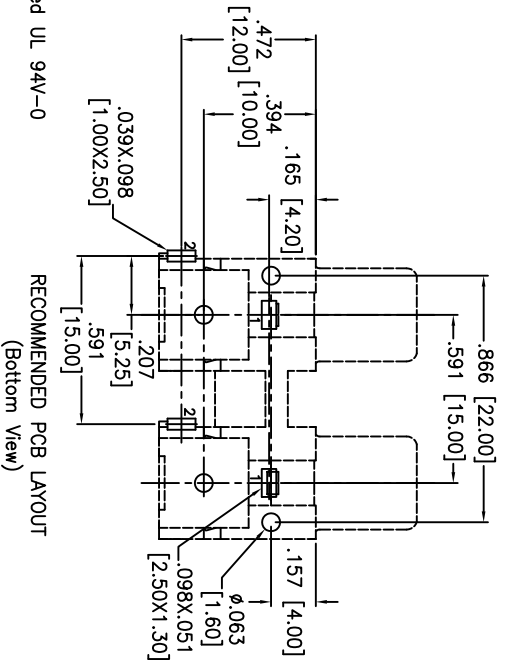
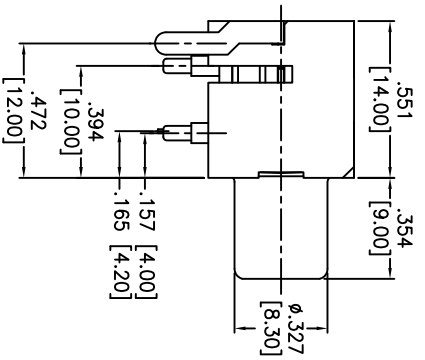
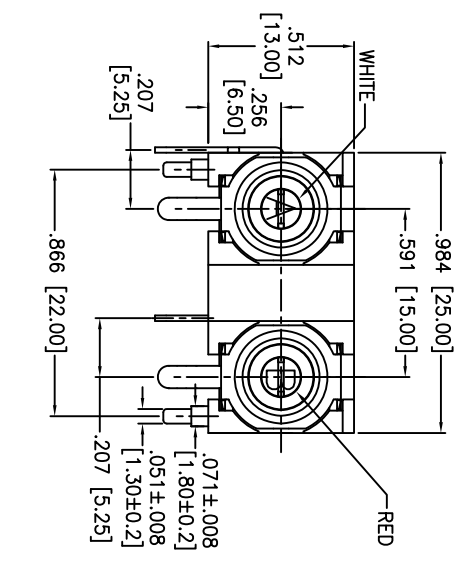


Rev	AWO #	Description	Date	Appr
-		RELEASED	11/03/09	

APPROVED: _____
 DATE: _____ TITLE: _____



JACKS A AND B CAN BE ANY COMBINATION OF AVAILABLE COLORS

RECOMMENDED PCB LAYOUT
(Bottom View)

RECOMMENDED PCB LAYOUT
(Bottom View)

- SPECIFICATIONS:**
- Material: PBT, glass reinforced, rated UL 94V-0
 - Insulator colors: White, Red, Brass
 - Contacts: Brass
 - Plating: Tin over Copper underplate.
 - Electrical:
 - Operation voltage: 30V DC max.
 - Current rating: 1 Amp max
 - Contact resistance: 50 mohms max.
 - Insulation resistance: 100 Mohms min
 - Dielectric withstanding voltage: 500 VAC for 1 minute
 - Temperature rating: -25°C to +80°C
 - Environmental:
 - Operating temperature: -25°C to +80°C
 - Lead free, RoHS compliant.
 - Recommended soldering temp: 235°C for 5 sec.



ADAM TECH

909 Railway Avenue, Union, NJ 07083
 Phone: 908-687-5000 Fax: 908-687-5710

RCA JACK, 2 PORTS, GANGED

UNLESS OTHERWISE SPECIFIED ALL DIMENSIONS ARE INCHES [MM] TOLERANCES: EXCEPT AS NOTED	
.X ± .10	ØXX ± .10
.XX ± .020	ØXXX ± .015
.XXX ± .015	ØXXXX ± .010
APPROVALS	DATE
DRAWN	DY
CHECKED	
APPROVED	

TITLE		PART NO.		REV.
RCA JACK, 2 PORTS, GANGED		RCA-6-1-W/R-PBT-EU		
SIZE	PART NO.	SCALE	SHEET	OF
X	RCA-6-1-W/R-PBT-EU	NTS	1	1
REF: S00025C				