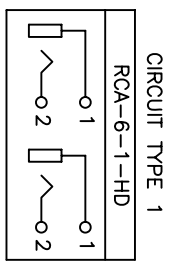
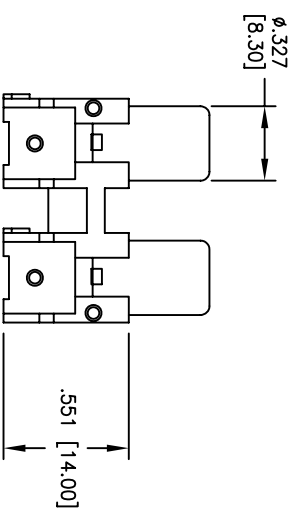
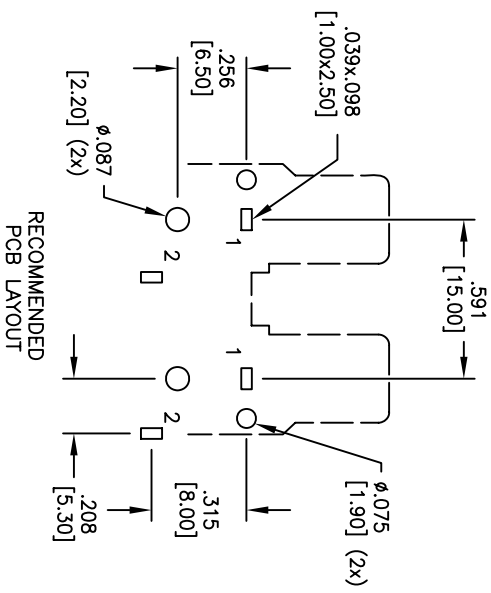
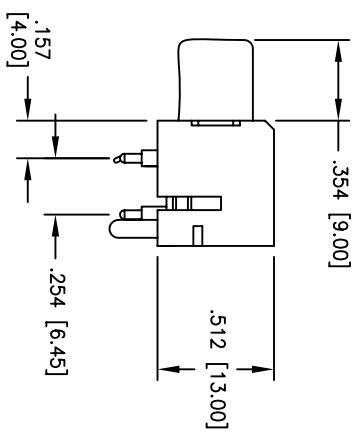
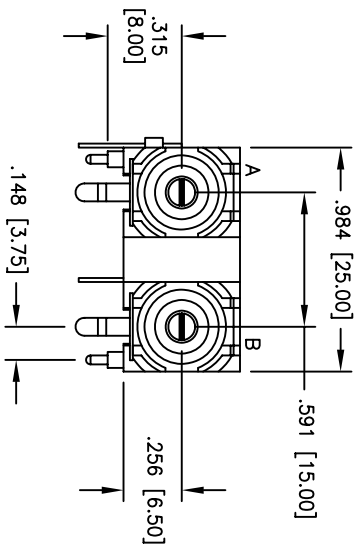


Rev	AWO #	Description	Date	Appr
-		RELEASED	3/14/07	

APPROVED: _____ TITLE: _____ DATE: _____



JACKS A AND B CAN BE ANY COMBINATION OF AVAILABLE COLORS

SPECIFICATIONS:
Material:
Insulator: PBT, glass reinforced thermoplastic, rated UL 94V-0
Insulator colors: Red, White, Black & Yellow
Bushing: Brass, Nickel plated
Contacts: Brass
Plating:
 Tin or Silver over Copper underplate.
Electrical:
Operation voltage: 12V DC max.
Current rating: 1 Amp max
Contact resistance: 30 mohms max.
Insulation resistance: 100 Mohms min
Dielectric withstanding voltage: 500 VAC for 1 minute
Mechanical:
Life cycle: 10,000 cycles min.
Environmental:
Temperature rating:
Operating temperature: -25°C to +80°C
Lead free, RoHS compliant.
Recommended soldering temp: 235°C for 5 sec.
Packaging:
 Anti-ESD plastic bags

ADAM TECH
 909 Railway Avenue, Union, NJ 07083
 Phone: 908-687-5000 Fax: 908-687-5710

TITLE: RCA JACK, 2 PORTS, GANGED
 SIZE: X
 PART NO.: RCA-6-1-XX
 SCALE: NTS
 SHEET 1 OF 1

UNLESS OTHERWISE SPECIFIED ALL DIMENSIONS ARE INCHES [MM] TOLERANCES: EXCEPT AS NOTED INCHES		HOLDS	
.X	± .10	ØX	± .10
.XX	± .020	ØXXX	± .015
.XXX	± .015	ØXXXX	± .010
APPROVALS		DATE	
DRAWN	SS	3/14/07	
CHECKED			
APPROVED			

