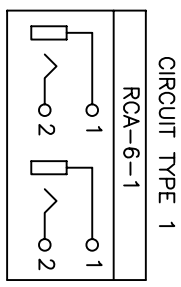
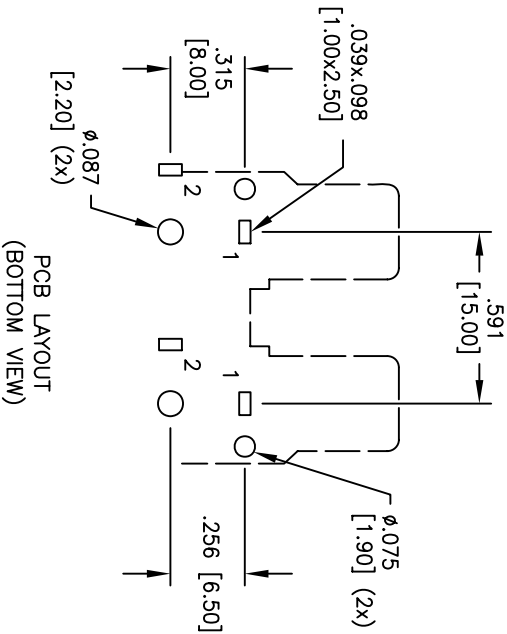
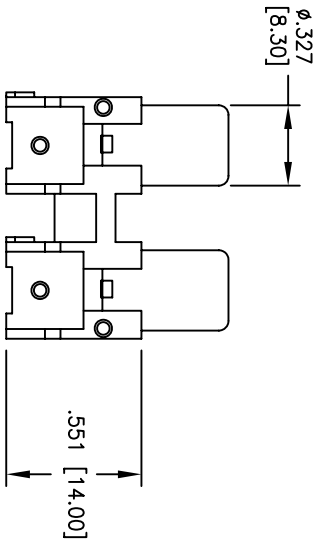
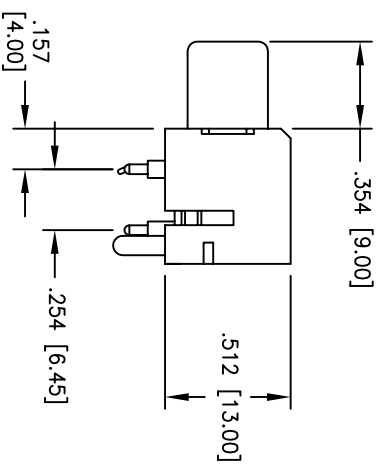
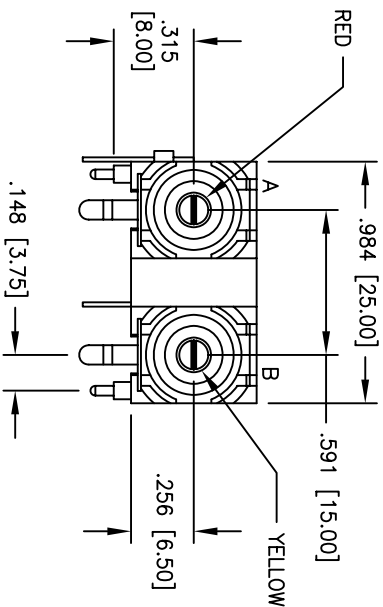


Rev	AWO #	Description	Date	Appr
-	7324	RELEASED	12/12/06	

APPROVED: \_\_\_\_\_  
 DATE: \_\_\_\_\_ TITLE: \_\_\_\_\_



JACKS A AND B CAN BE ANY COMBINATION OF AVAILABLE COLORS

**SPECIFICATIONS:**

- Material:** Insulator: PBT, Glass reinforced, rated UL 94V-0
- Insulator colors:** Red, Yellow,
- Bushing:** Brass, Nickel plated
- Contacts:** Brass
- Plating:** Tin or Silver over Copper underplate
- Electrical:** Operating voltage: 12 VDC max. Current rating: 1 Amp max. Contact resistance: 30 mohms max. initial Insulation resistance: 100 Mohms min. Dielectric withstanding voltage: 500 VAC for 1 minute
- Temperature Rating:** Operating temperature: -25°C to +85°C
- Environmental:** Lead free, RoHS compliant. Recommended soldering temp: 235°C for 5 sec.



**ADAM TECH**

909 Rahway Avenue, Union, NJ 07083  
 Phone: 908-687-5000 Fax: 908-687-5710

RCA JACK, 2 PORTS, GANGED, RED, YELLOW

UNLESS OTHERWISE SPECIFIED ALL DIMENSIONS ARE INCHES [MM] TOLERANCES: EXCEPT AS NOTED INCHES		TITLE	
.X ± .10	ØXX ± .10	RCA JACK, 2 PORTS, GANGED, RED, YELLOW	
.XX ± .020	ØXXX ± .015	SIZE	PART NO.
.XXX ± .015	ØXXXX ± .010	X	RCA-6-2-R/Y
APPROVALS		SCALE: NTS	SHEET 1 OF 1
DRAWN	BW	DATE: 12/12/06	
CHECKED		REV.	
APPROVED			