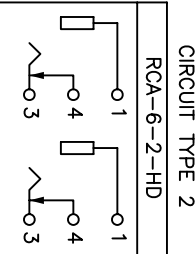
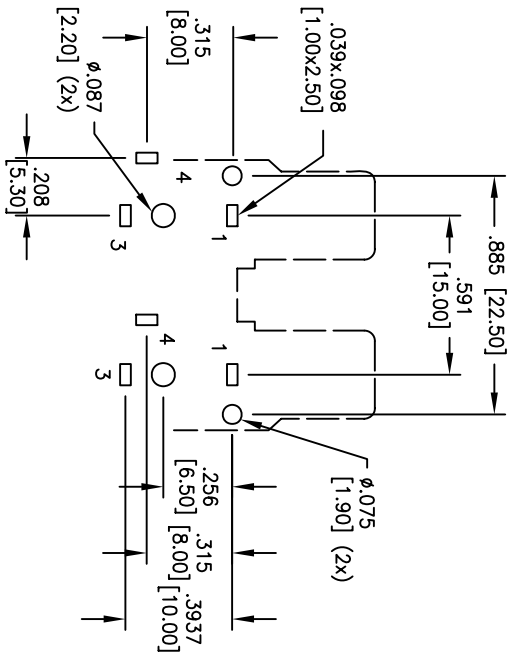
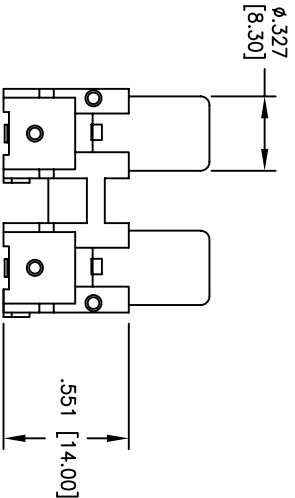
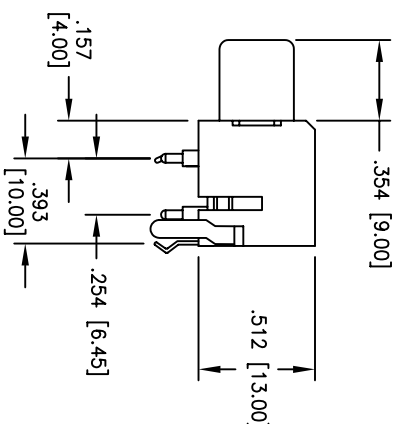
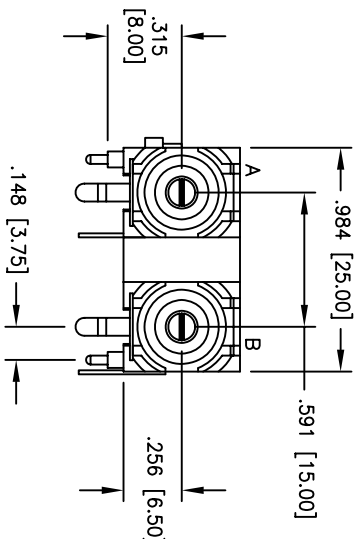


Rev	AWO #	Description	Date	Appr
-		RELEASED	3/14/07	

APPROVED: \_\_\_\_\_ TITLE: \_\_\_\_\_  
 DATE: \_\_\_\_\_



RECOMMENDED  
PCB LAYOUT

JACKS A AND B CAN BE ANY COMBINATION OF AVAILABLE COLORS

**ADAM TECH**

909 Railway Avenue, Union, NJ 07083  
 Phone: 908-687-5000 Fax: 908-687-5710

RCA JACK, 2 PORTS, GANGED

**SPECIFICATIONS:**  
 Material: PBT, glass reinforced thermoplastic, rated UL 94V-0  
 Insulator colors: Red, White, Black & Yellow  
 Bushing: Brass, Nickel plated  
 Contacts: Brass  
 Plating: Tin or Silver over Copper underplate.  
 Electrical:  
 Operation voltage: 12V DC max.  
 Current rating: 1 Amp max  
 Contact resistance: 30 mohms max.  
 Insulation resistance: 100 Mohms min  
 Dielectric withstanding voltage: 500 VAC for 1 minute  
 Mechanical:  
 Life cycle: 10,000 cycles min.  
 Environmental:  
 Temperature rating:  
 Operating temperature: -25°C to +80°C  
 Lead free, RoHS compliant.  
 Recommended soldering temp: 235°C for 5 sec.



Anti-ESD plastic bags

UNLESS OTHERWISE SPECIFIED ALL DIMENSIONS ARE INCHES [MM] TOLERANCES: EXCEPT AS NOTED		INCHES		HOLDS	
.X	± .10	ØX	± .10		
.XX	± .020	ØXXX	± .015		
.XXX	± .015	ØXXXX	± .010		
APPROVALS		DATE			
DRAWN	SS	3/14/07			
CHECKED					
APPROVED					
TITLE		SIZE	PART NO.	REV.	
RCA JACK, 2 PORTS, GANGED		X	RCA-6-2-XX-HD		
REF:		SCALE:	NTS	SHEET	1 OF 1