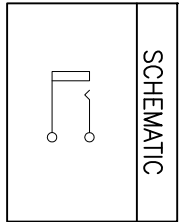
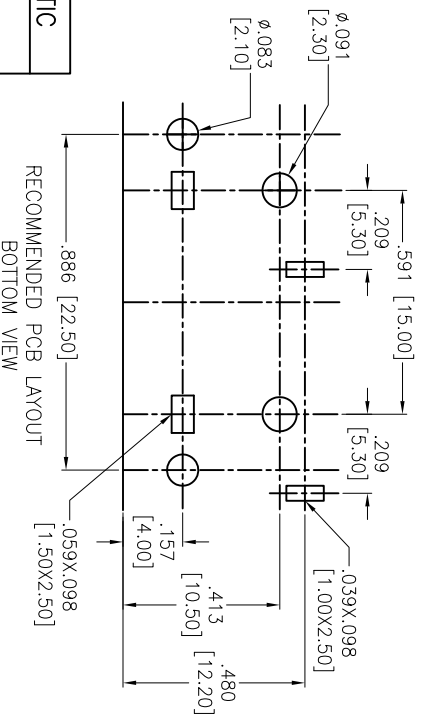
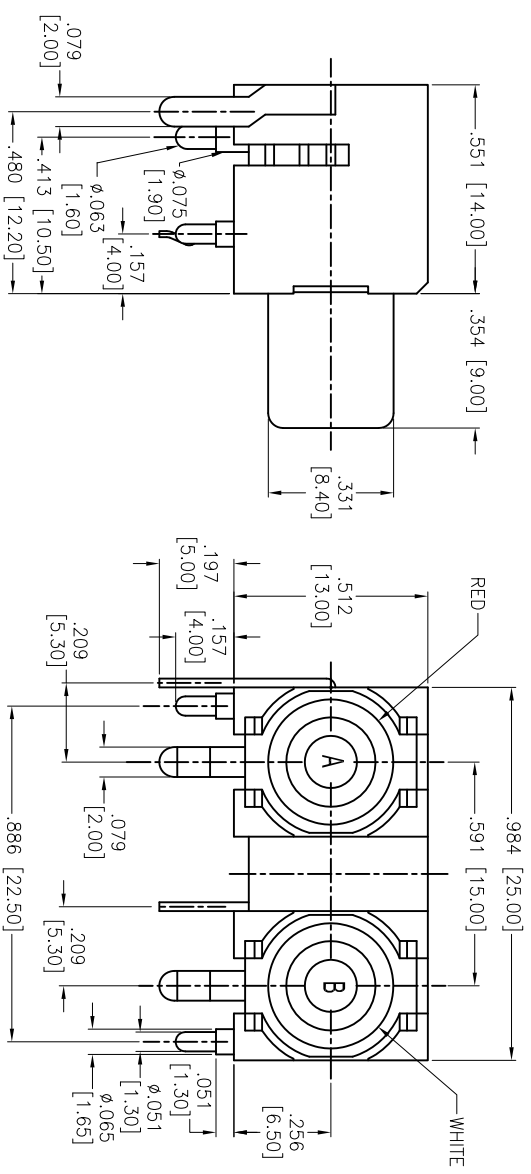


Rev	AWO #	Description	Date	Appr
-		RELEASED	12/18/13	

APPROVED: \_\_\_\_\_  
 DATE: \_\_\_\_\_ TITLE: \_\_\_\_\_



**SPECIFICATIONS:**  
**Material:**  
 Insulator: PBT, rated UL 94V-0  
 Insulator colors available: , Red & White, Black(Body)  
 Bushing: Copper Alloy  
 Contacts: Copper Alloy  
**Plating:**  
 Tin over Copper underplate.  
**Electrical:**  
 Operation voltage: 50V DC max.  
 Contact rating: 0.2 Amp max  
 Contact resistance: 0.03Ω Max.  
 Insulation resistance: 100 MΩ min @ 500VDC  
 Dielectric withstanding voltage: 500 VAC for 1 minute  
**Temperature rating:**  
 Operating temperature: -40°C to +70°C  
**Environmental:**  
 Lead free, RoHS compliant.



**ADAM TECH**

909 Rahway Avenue, Union, NJ 07083  
 Phone: 908-687-5000 Fax: 908-687-5710

RCA JACK, RIGHT ANGLE, RED/WHITE

UNLESS OTHERWISE SPECIFIED ALL DIMENSIONS ARE INCHES [MM]	
TOLERANCES: EXCEPT AS NOTED	
INCHES	
.X ± .10	ØX ± .10
.XX ± .020	ØXX ± .015
.XXX ± .015	ØXXX ± .010
APPROVALS	
DRAWN	AY
CHECKED	AH
DATE	DATE
12/18/13	12/18/13

SIZE	PART NO.	REV.
X	RCA-6A-1-RW	-
REF: S00067T	SCALE: NTS	SHEET 1 OF 1