

6

5

4

3

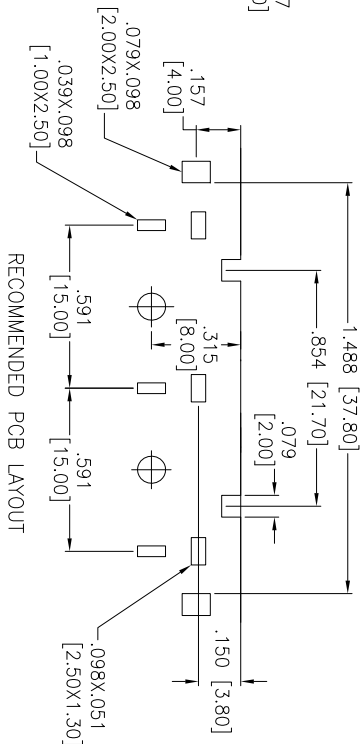
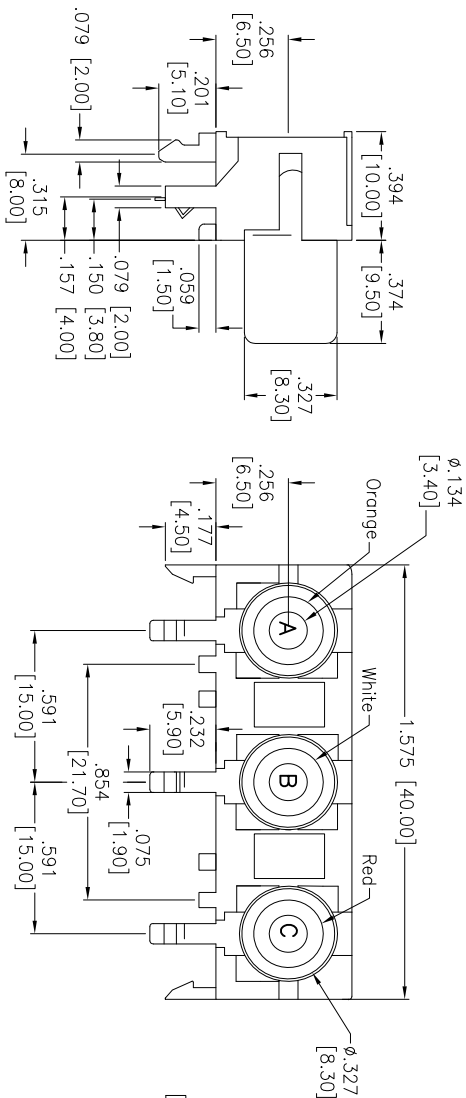
2

1

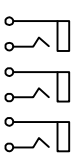
Rev	AWO #	Description	Date	Appr
-		RELEASED	9/12/13	

APPROVED: _____

DATE: _____ TITLE: _____



SCHEMATIC



SPECIFICATIONS:

Material: Insulator: PBT, rated UL 94V-0
 Insulator colors available: Orange, White & Red, Black(Body)
 Bushing: Copper Alloy
 Contacts: Copper Alloy
 Plating: Tin over Copper underplate.

Electrical: Operation voltage: 50V DC max.
 Current rating: 0.3 Amp max
 Contact resistance: 0.03Ω Max.
 Insulation resistance: 100 MΩ min @ 500VDC
 Dielectric withstanding voltage: 100 VAC for 1 minute
 Temperature rating: Operating temperature: -40°C to +80°C
 Environmental: Lead free, RoHS compliant.



ADAM TECH

909 Rahway Avenue, Union, NJ 07083
 Phone: 908-687-5000 Fax: 908-687-5710

TITLE: RCA JACK, RIGHT ANGLE, ORANGE / WHITE / RED

UNLESS OTHERWISE SPECIFIED ALL DIMENSIONS ARE IN INCHES [MM]		TOLERANCES EXCEPT AS NOTED	
.X	± .10	ØX	± .10
.XX	± .020	ØXXX	± .015
.XXX	± .015	ØXXXX	± .010
APPROVALS		DATE	
DRAWN	AY	9/12/13	
CHECKED	AH	9/12/13	
APPROVED			
SIZE	PART NO.	SCALE:	REV.
X	RCA-7-1-0WR	NTS	-
REF: 500/6TT			

6

5

4

3

2

1