

6

5

4

3

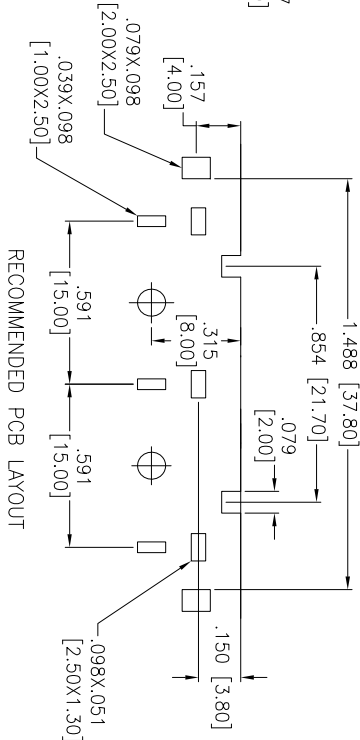
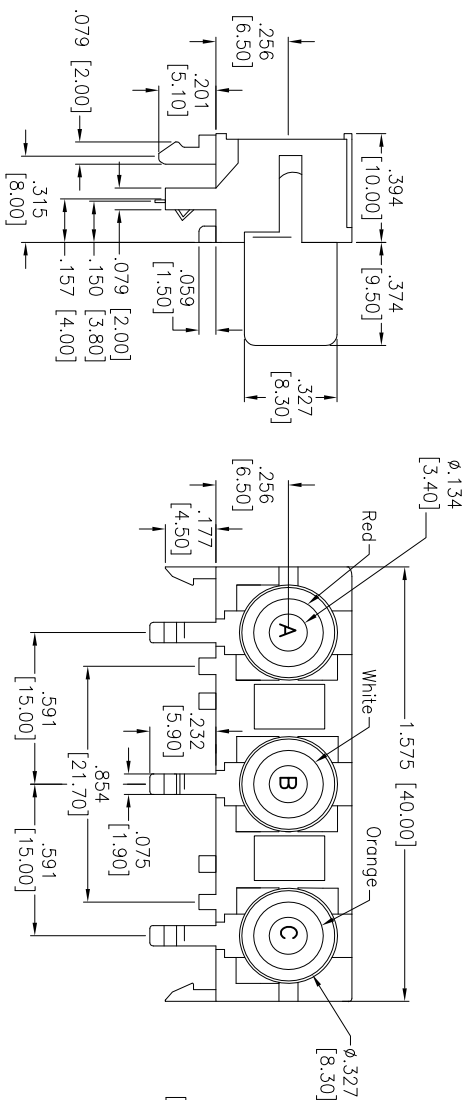
2

1

Rev	AWO #	Description	Date	Appr
-		RELEASED	10/21/13	

APPROVED: _____

DATE: _____ TITLE: _____

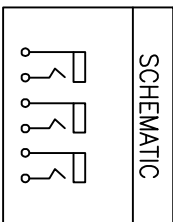


B

SPECIFICATIONS:

Material:
 Insulator: PBT, rated UL 94V-0
 Insulator colors available: Red, White & Orange , Black(Body)
 Bushing: Copper Alloy
 Contacts: Copper Alloy
 Plating:
 Tin over Copper underplate.

Electrical:
 Operation voltage: 50V DC max.
 Current rating: 0.3 Amp max
 Contact resistance: 0.03Ω Max.
 Insulation resistance: 100 MΩ min @ 500VDC
 Dielectric withstanding voltage: 100 VAC for 1 minute
 Temperature rating:
 Operating temperature: -40°C to +80°C
 Environmental:
 Lead free, RoHS compliant.



A

UNLESS OTHERWISE SPECIFIED ALL DIMENSIONS ARE IN INCHES [MM]	
TOLERANCES: EXCEPT AS NOTED	
INCHES	HOLES
.X ± .10	ØX ± .015
.XX ± .020	ØXXX ± .015
.XXX ± .015	ØXXXX ± .010
APPROVALS	
DRAWN	AY
CHECKED	AH
APPROVED	

ADAM TECH
 909 Rahway Avenue, Union, NJ 07083
 Phone: 908-687-5000 Fax: 908-687-5710

TITLE		RCA JACK, RIGHT ANGLE, RED/WHITE/ORANGE	
SIZE	PART NO.	RCA-7-1-RWO	
X		SCALE: NTS	SHEET 1 OF 1
REV.			

6

5

4

3

2

1

