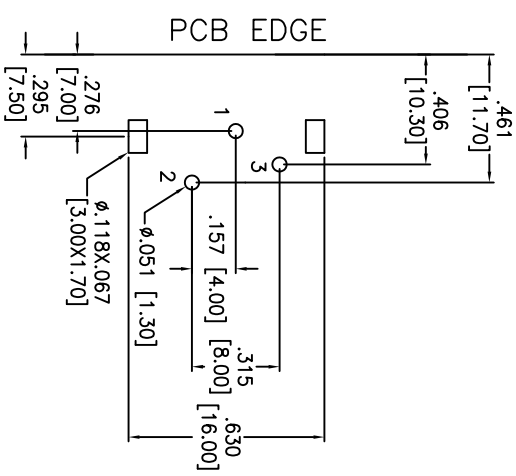
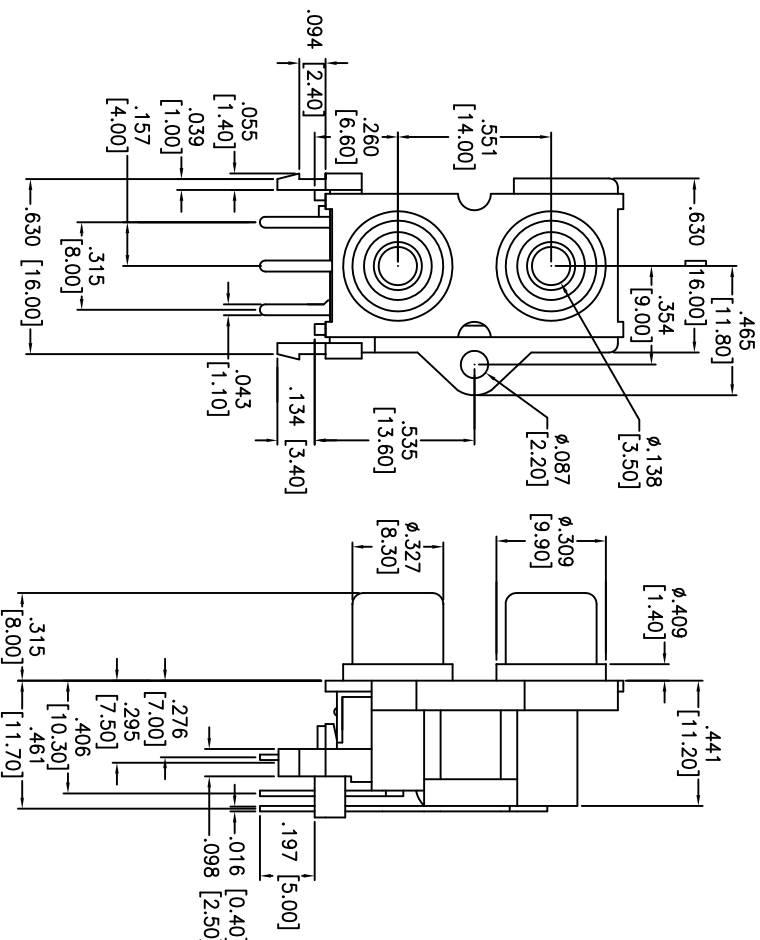
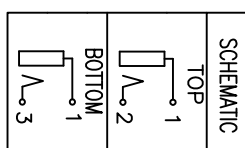
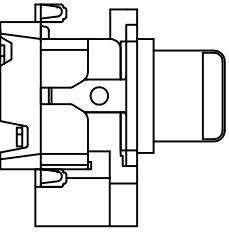


Rev	AWO #	Description	Date	Appr
-		RELEASED	12/02/09	

APPROVED: _____ DATE: _____ TITLE: _____



RECOMMENDED PCB LAYOUT
(Bottom View)



ADAM P/N	A	B
RCA-8-1-W/R	WHITE	RED
RCA-8-1-R/W	RED	WHITE
RCA-8-1-Y/Y	YELLOW	YELLOW
RCA-8-1-B/B	BLACK	BLACK

JACKS A AND B CAN BE ANY COMBINATION OF AVAILABLE COLORS

SPECIFICATIONS:

- Material: ABS, color White
- Housing: ABS, color White
- Top cover: ABS, color Black
- Ring: PBT, color Red, White, Yellow, Black
- Terminal: Brass, Tin plated
- Barrel: Brass, Nickel plated
- Electrical:
 - Operation voltage: 30V DC max.
 - Current rating: 1 Amp max
 - Contact resistance: 50 mohms max.
 - Insulation resistance: 100 Mohms min
 - Dielectric withstanding voltage: 500 VAC for 1 minute
 - Temperature rating: -25°C to +80°C
- Operating temperature: -25°C to +80°C
- Environmental:
 - Lead free, RoHS compliant.
 - Recommended soldering temp: 235°C for 5 sec.
 - Packaging: Anti-ESD plastic bags



ADAM TECH

909 Railway Avenue, Union, NJ 07083
Phone: 908-687-5000 Fax: 908-687-5710

RCA JACK, 2 PORTS, GANGED

UNLESS OTHERWISE SPECIFIED ALL DIMENSIONS ARE INCHES [MM] TOLERANCES: EXCEPT AS NOTED		TITLE	
INCHES .X ± .10 .XX ± .020 .XXX ± .015 XXX ± .010		RCA JACK, 2 PORTS, GANGED	
HOLDS ØX ± .10 ØXXX ± .015 ØXXX ± .010		SIZE	PART NO.
APPROVALS	DATE	X	RCA-8-1-X/X
DRAWN	DY	12/02/09	
CHECKED			
APPROVED			
REF: S00095T		SCALE: NTS	SHEET 1 OF 1