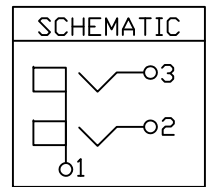
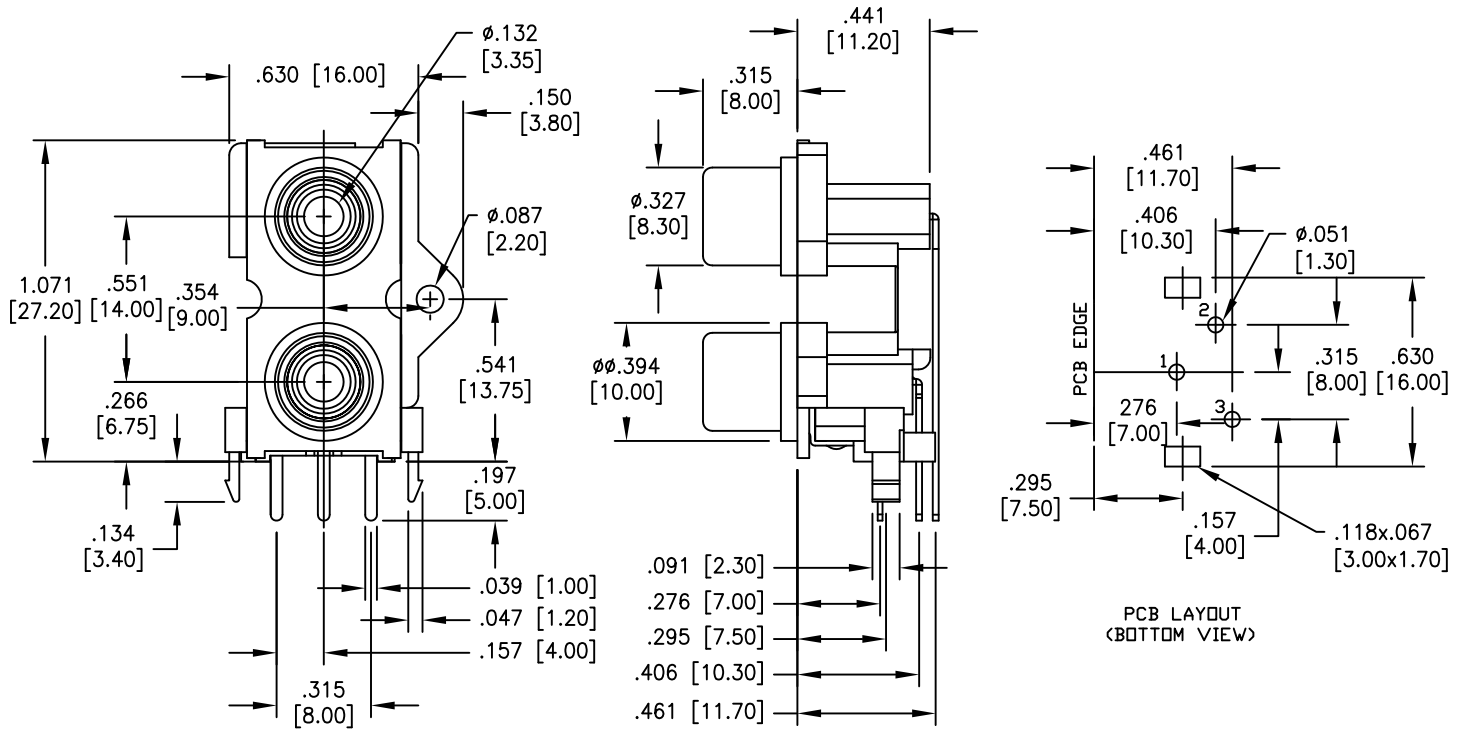


Rev	AWO #	Description	Date	Appr
-		RELEASED	7/29/16	

APPROVED: _____
DATE: _____ TITLE: _____



BLACK ○
BLACK ○
INSERT RING COLORS

SPECIFICATIONS:

Material:
Insulator: ABS, rated UL 94V-0
Insulator colors: White
Cover: ABS, rated UL 94V-0, Colors: Black
Insert Ring: PBT, rated UL 94V-0, Colors: Black
Barrel: Brass, Gold plated
Contacts: Brass
Plating:
Tin over Copper underplate overall
Electrical:
Rated Voltage & Current: 12 VDC, 2A Max, 100 VAC, 1A Max.
Contact resistance: 30 mohms max.
Insulation resistance: 100 Mohms min.
Dielectric withstanding voltage: 500 VAC for 1 minute
Environmental:
Lead free, RoHS compliant.



UNLESS OTHERWISE SPECIFIED
ALL DIMENSIONS ARE INCHES [MM]
TOLERANCES: EXCEPT AS NOTED
INCHES HOLES
.X ±.10 Ø.X ±.10
.XX ±.020 Ø.XX ±.015
.XXX ±.015 Ø.XXX ±.010

ADAM TECH

909 Rahway Avenue, Union, NJ 07083
Phone: 908-687-5000 Fax: 908-687-5710

APPROVALS		DATE
DRAWN	AY	7/29/16
CHECKED	CT	7/29/16
APPROVED		

TITLE			RCA JACK, 2 PORTS, STACKED BARREL: GOLD PLATED	
SIZE	PART NO.	RCA-8-4-B/B-G		REV.
X				-
REF:	S00095T	SCALE:	NTS	SHEET 1 OF 1