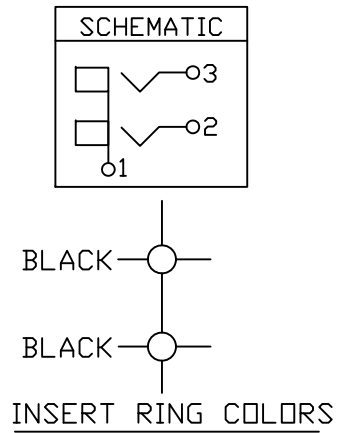
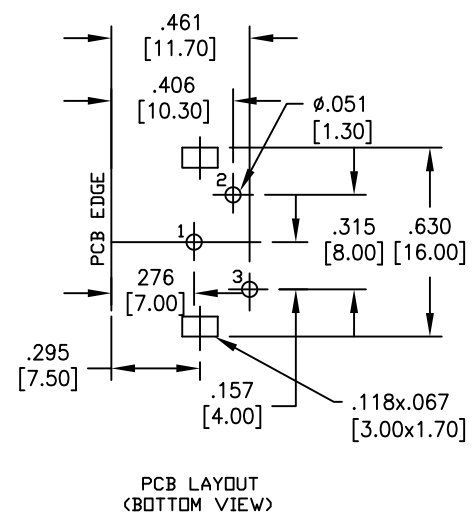
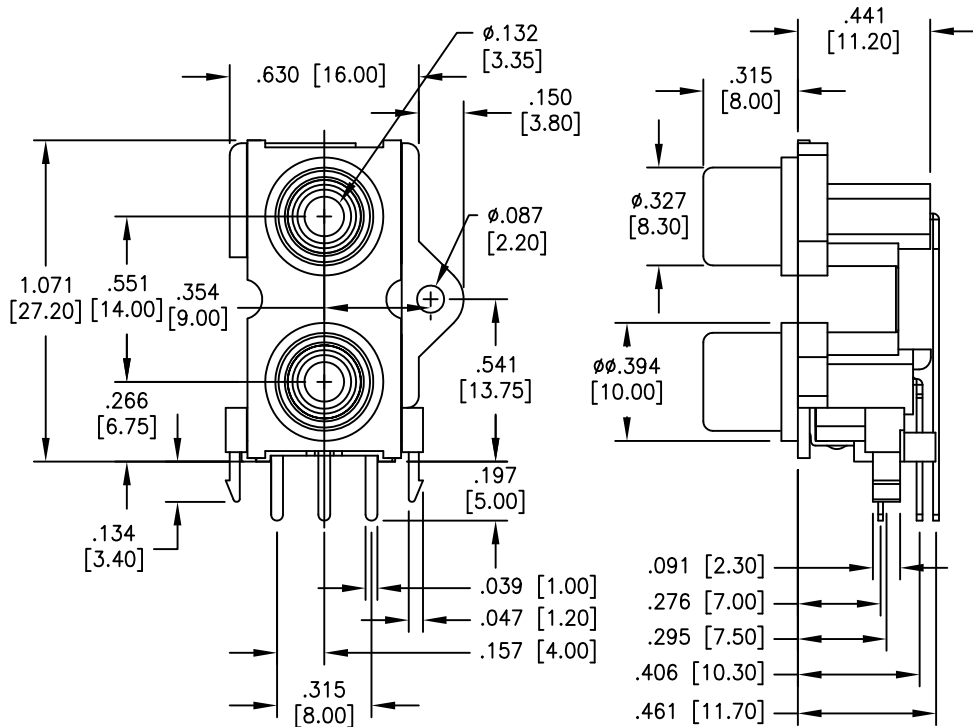


APPROVED: _____

DATE: _____ TITLE: _____

Rev	AWO #	Description	Date	Appr
-		RELEASED	4/14/16	



SPECIFICATIONS:

Material:

Insulator: ABS, rated UL 94V-0

Insulator colors: White

Cover: ABS, rated UL 94V-0, Colors: Black

Insert Ring: PBT, rated UL 94V-0, Colors: Black

Barrel: Brass, Nickel plated

Contacts: Brass

Plating:

Tin over Copper underplate overall

Electrical:

Rated Voltage & Current: 12 VDC, 2A Max, 100 VAC, 1A Max.

Contact resistance: 30 mohms max.

Insulation resistance: 100 Mohms min.

Dielectric withstanding voltage: 500 VAC for 1 minute

Environmental:

Lead free, RoHS compliant.



UNLESS OTHERWISE SPECIFIED ALL DIMENSIONS ARE INCHES [MM] TOLERANCES: EXCEPT AS NOTED		ADAM TECH 909 Rahway Avenue, Union, NJ 07083 Phone: 908-687-5000 Fax: 908-687-5710	
INCHES HOLES			
.X ±.10	ϕ .X ±.10	TITLE RCA JACK, 2 PORTS, STACKED	
.XX ±.020	ϕ .XX ±.015		
.XXX ±.015	ϕ .XXX ±.010	SIZE PART NO. X RCA-8-4-B/B	
APPROVALS		REV. -	
DRAWN AY	DATE 4/14/16	REF: S00095T SCALE: NTS SHEET 1 OF 1	
CHECKED LW	DATE 4/14/16		
APPROVED			