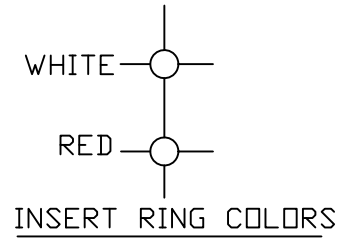
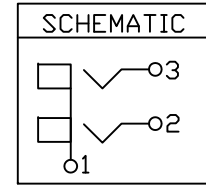
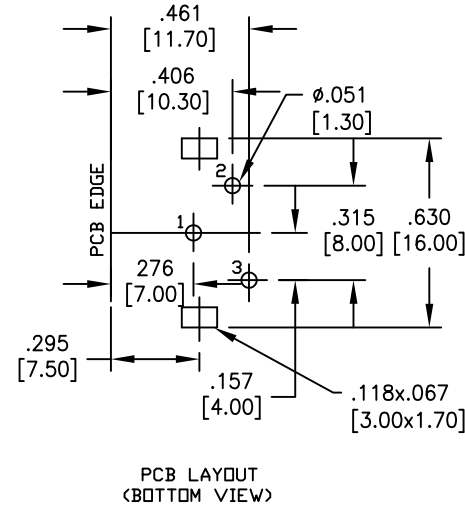
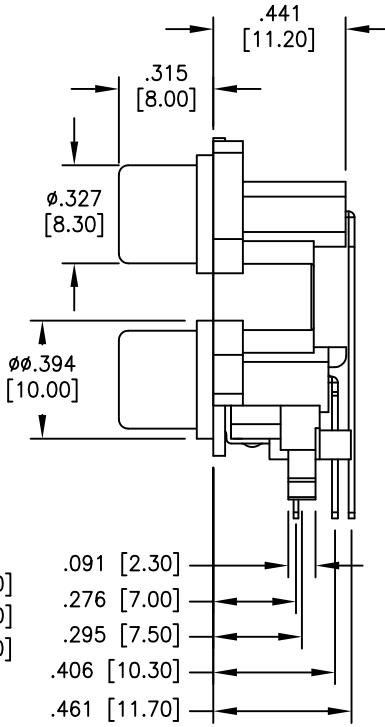
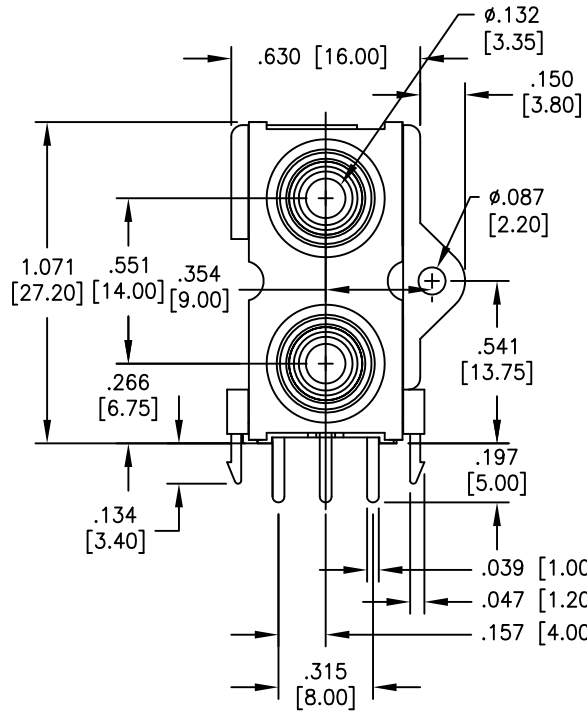


APPROVED: \_\_\_\_\_  
 DATE: \_\_\_\_\_ TITLE: \_\_\_\_\_

Rev	AWO #	Description	Date	Appr
-		RELEASED	12/10/04	
A		REDRAWN	7/2/12	



**SPECIFICATIONS:**

Material:  
 Insulator: ABS, rated UL 94V-0  
 Insulator colors: White  
 Cover: ABS, rated UL 94V-0, Colors: Black  
 Insert Ring: PBT, rated UL 94V-0, Colors: White, Red  
 Barrel: Brass, Nickel plated  
 Contacts: Brass  
 Plating:  
 Tin over Copper underplate overall  
 Electrical:  
 Operating voltage: 12 VDC max.  
 Current rating: 2 Amp max.  
 Contact resistance: 30 mohms max. initial  
 Insulation resistance: 100 Mohms min.  
 Dielectric withstanding voltage: 500 VAC for 1 minute  
 Environmental:  
 Lead free, RoHS compliant.



UNLESS OTHERWISE SPECIFIED  
 ALL DIMENSIONS ARE INCHES [MM]  
 TOLERANCES: EXCEPT AS NOTED  
 INCHES HOLES

.X ± .10	∅X ± .10
.XX ± .020	∅XX ± .015
.XXX ± .015	∅XXX ± .010

**ADAM TECH**

909 Rahway Avenue, Union, NJ 07083  
 Phone: 908-687-5000 Fax: 908-687-5710

APPROVALS		DATE
DRAWN	SS	10/4/04
CHECKED		
APPROVED		

TITLE			
RCA JACK, 2 PORTS, STACKED			
SIZE	PART NO.	REV.	
X	RCA-8-4-W/R	A	
REF:	S00095T	SCALE:	NTS
		SHEET 1 OF 1	