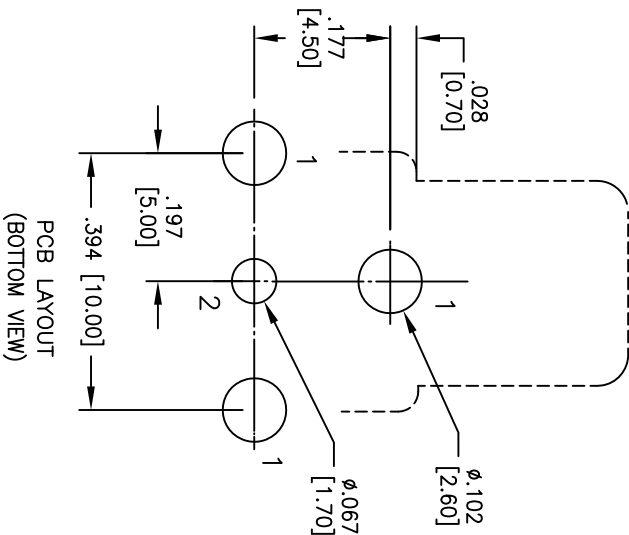
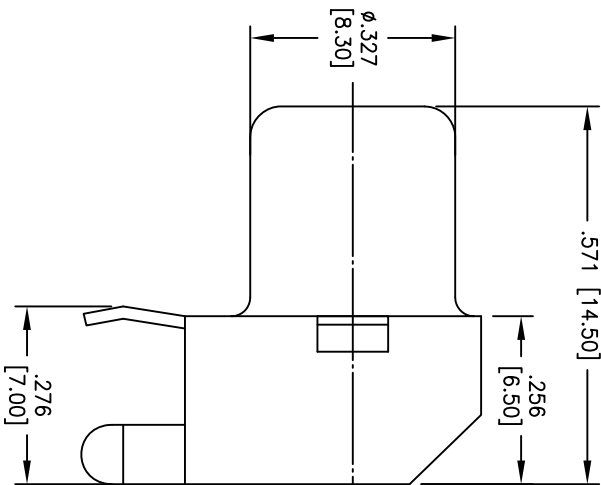
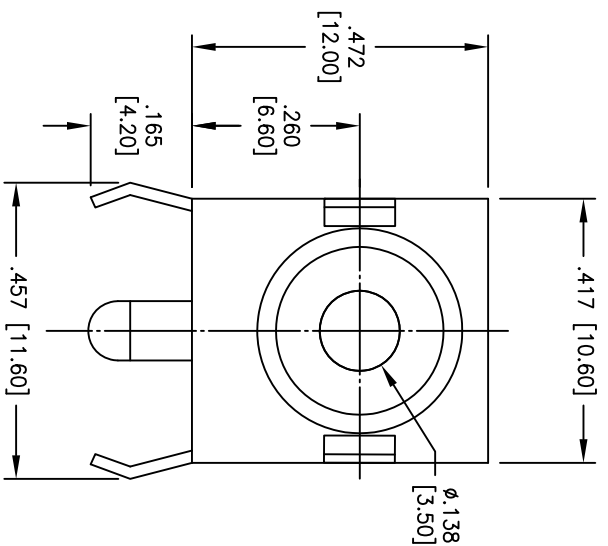
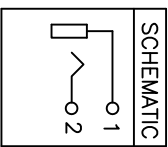


APPROVED: _____
 DATE: _____ TITLE: _____

Rev	AWO #	Description	Date	Appr
-		RELEASED	9/8/03	
A		REDRAWN	8/25/10	



ADAM P/N:	INSULATOR COLOR
RCA-H101B-T	BLACK
RCA-H101R-T	RED
RCA-H101W-T	WHITE
RCA-H101Y-T	YELLOW
RCA-H101BL-T	BLUE
RCA-H101G-T	GRAY
RCA-H101O-T	GREEN
RCA-H101OR-T	ORANGE
RCA-H101BR-T	BROWN



SPECIFICATIONS:

Material:
 Insulator: PBT, Glass reinforced, rated UL 94V-0
 Insulator color: Black
 Insert: PBT
 Inserts color available: Black, Red, White, Yellow, Blue, Gray, Green, Orange, Brown
 Contacts: Brass, Tin plated
 Shell: Iron, Tin plated
Electrical:
 Contact resistance: 30 mohms max. initial
 Insulation resistance: 100 Mohms min.
 Dielectric withstanding voltage: 500 VAC for 1 minute
 Temperature Rating:
 Operating temperature: -25°C to +85°C
Environmental:
 Lead free, RoHS Compliant
 Recommended soldering temp: 235°C for 5 seconds

UNLESS OTHERWISE SPECIFIED
 ALL DIMENSIONS ARE IN INCHES [MM]
 TOLERANCES: EXCEPT AS NOTED
 INCHES HOLES ± .10
 .XX ± .020 ØXX ± .015
 .XXX ± .015 ØXXX ± .010

ADAM TECH
 909 Railway Avenue, Union, NJ 07083
 Phone: 908-687-5000 Fax: 908-687-5710

APPROVALS	DATE	TITLE
DRAWN	SIS	9/8/03
CHECKED		
APPROVED		

SIZE	PART NO.	REV.
X	RCA-H101X-T	A

REF.	SCALE	NTS	SHEET	1 OF
S00062T			1	1

