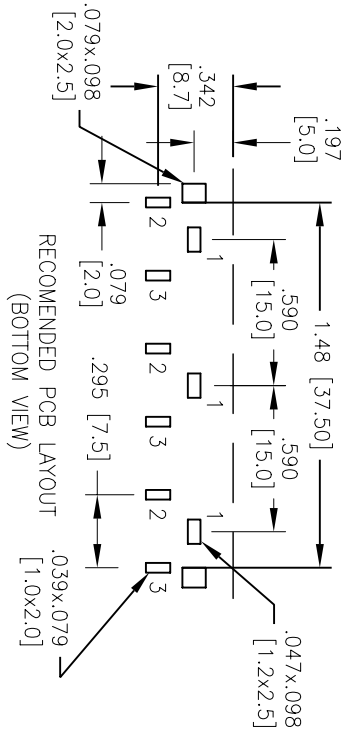
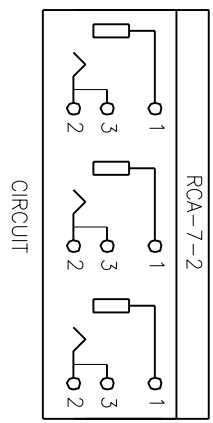
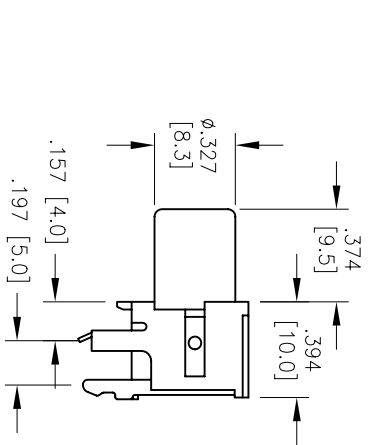
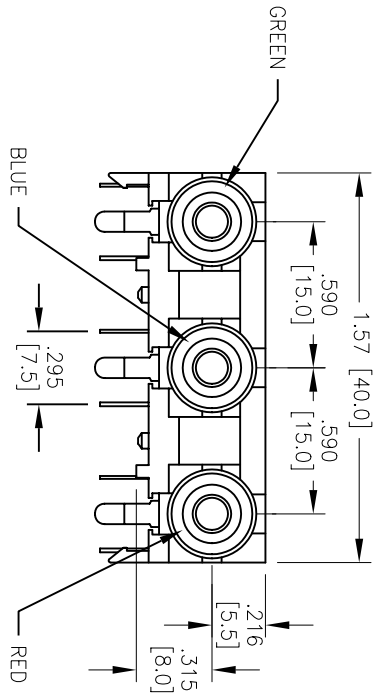


Rev	AWO #	Description	Date	Appr
-		RELEASED	7/15/04	

APPROVED: _____
 DATE: _____ TITLE: _____



SPECIFICATIONS:

Material: Polybutylene Terephthalate (PBT), glass reinforced
Insulator: thermoplastic, rated UL 94V-0
Insulator color: Black
Contacts: Brass
Plating:
 Contacts: 50 µin bright nickel to QQ-N-290, Class 2, Grade Terminus: 100 µin min Tin plate.
Electrical:
 Operation voltage: 250 VAC max
 Current rating: 15 Amps max
 Insulation resistance: 100 Mohms min @ 500 VDC
 Dielectric withstanding voltage: 2000 VAC for 1 minute
Environmental:
 Operating temperature: -65°C to +125°C

UNLESS OTHERWISE SPECIFIED ALL DIMENSIONS ARE MM [INCHES] TOLERANCES: EXCEPT AS NOTED		<p>ADAM TECH 909 Rahway Avenue, Union, NJ 07083 Phone: 908-687-5000 Fax: 908-687-5710</p>
INCHES	HOLE	
X .XX ± .10	ØXX ± .015	TITLE: RCA JACK, 3 PORT, RIGHT ANGLE, PC GREEN / BLUE / RED
.XXX ± .015	ØXXX ± .010	
APPROVALS	DATE	SIZE PART NO. RCA-H9B-3-GBLR
DRAWN SS	7/15/04	SCALE: NTS
CHECKED		SHEET 1 OF 1
APPROVED		REV. -