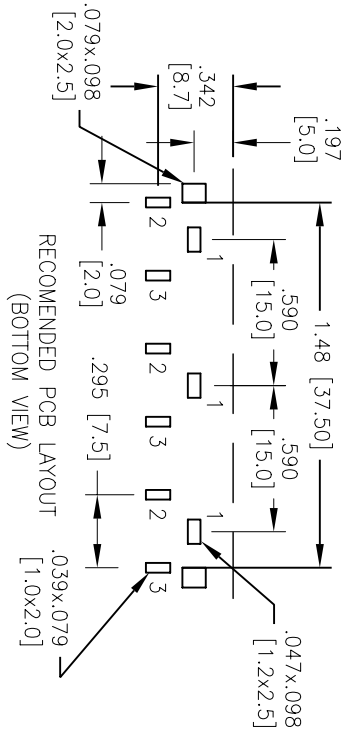
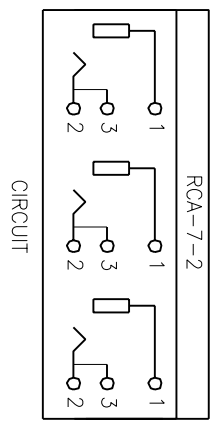
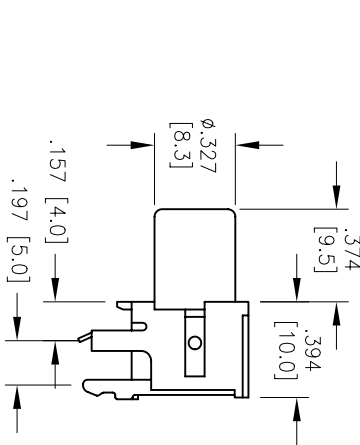
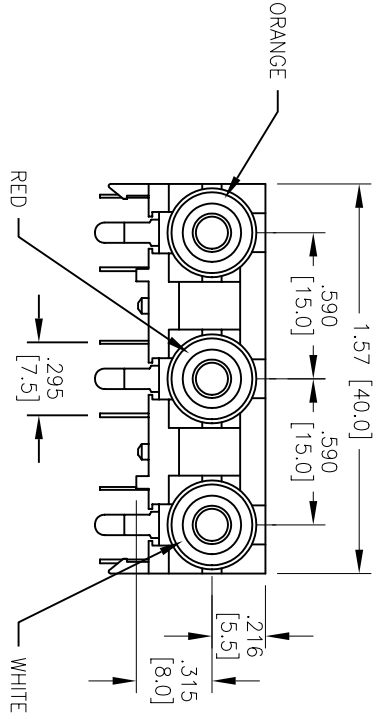


Rev	AWO #	Description	Date	Appr
-		RELEASED	7/15/04	

APPROVED: \_\_\_\_\_  
 DATE: \_\_\_\_\_ TITLE: \_\_\_\_\_



**SPECIFICATIONS:**

**Material:**  
 Insulator: Polybutylene Terephthalate (PBT), glass reinforced  
 thermoplastic, rated UL 94V-0  
 Insulator color: Black  
**Contacts:** Brass  
 Plating:  
 Contacts: 50  $\mu$ m bright nickel to QQ-N-290, Class 2, Grade Terminus: 100  
 $\mu$ m min Tin plate.  
**Electrical:**  
 Operation voltage: 250 VAC max  
 Current rating: 15 Amps max  
 Insulation resistance: 100 Mohms min @ 500 VDC  
 Dielectric withstanding voltage: 2000 VAC for 1 minute  
**Environmental:**  
 Operating temperature: -65°C to +125°C

UNLESS OTHERWISE SPECIFIED  
 ALL DIMENSIONS ARE MM [INCHES]  
 TOLERANCES: EXCEPT AS NOTED  
 INCHES

X	± .10	ØXX	± .10
.XX	± .020	ØXX	± .015
.XXX	± .015	ØXXX	± .010

**ADAM TECH**  
 909 Rahway Avenue, Union, NJ 07083  
 Phone: 908-687-5000 Fax: 908-687-5710

TITLE: RCA JACK, 3 PORT, RIGHT ANGLE, PC  
 ORANGE / RED / WHITE

APPROVED	SS	7/15/04	SIZE	PART NO.	SCALE	SHEET	OF
CHECKED			X	RCA-H9B-3-ORW	NTS	1	1
REV.							