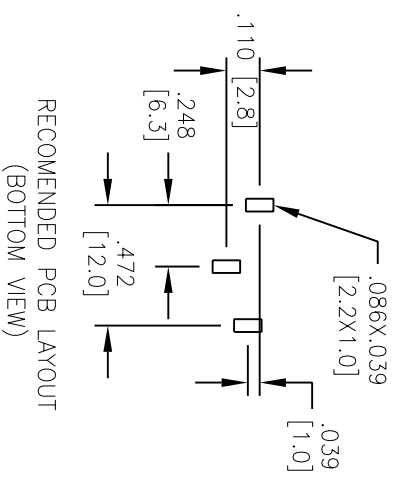
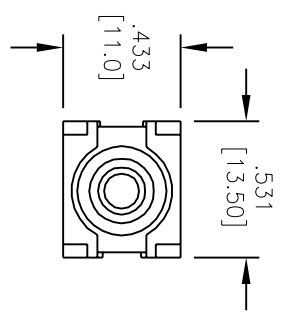
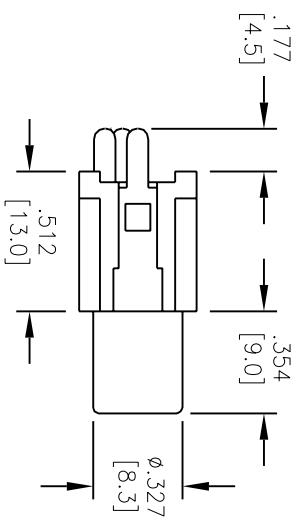
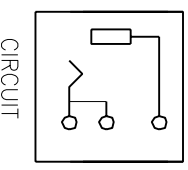


Rev	AWO #	Description	Date	Appr
-		RELEASED	7/6/04	

APPROVED: _____
 DATE: _____ TITLE: _____



P/N	COLOR
RCA-V15-1-B-T	BLACK
RCA-V15-1-R-T	RED
RCA-V15-1-W-T	WHITE
RCA-V15-1-Y-T	YELLOW
RCA-V15-1-BL-T	BLUE
RCA-V15-1-G-T	GREEN



SPECIFICATIONS:
 Material: ABS, UL 94HB, Color: See Chart
 Housing: Copper Alloy
 Contacts: Nickel Plated
 Outer Contact (Barrel): Tin-Lead Plated
 Terminals: Nickel Plated
 Electrical:
 Rating: 34 VAC, 2 Amps
 Contact resistance: 30 mW max
 Insulation resistance: 100 M W min at 500 VDC
 Dielectric withstanding voltage: 500 VAC for 1 minute
 Environmental:
 Operating Temperature: -25°C to +70°C

UNLESS OTHERWISE SPECIFIED ALL DIMENSIONS ARE MM [INCHES]	
TOLERANCES: EXCEPT AS NOTED	
INCHES	HOLES
.X ± .10	ØX ± .10
.XX ± .020	ØXXX ± .015
.XXX ± .015	ØXXXX ± .010
APPROVALS	DATE
DRAWN SS	7/6/04
CHECKED	
APPROVED	

ADAM TECH
 909 Rahway Avenue, Union, NJ 07083
 Phone: 908-687-5000 Fax: 908-687-5710

TITLE: RCA JACK, VERTICAL

SIZE: X PART NO.: RCA-V15-1-X-T

SCALE: NTS SHEET 1 OF 1