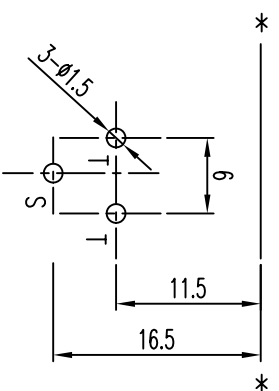
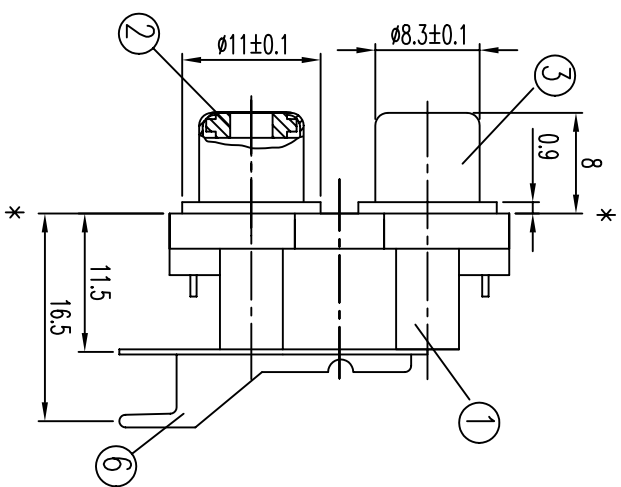
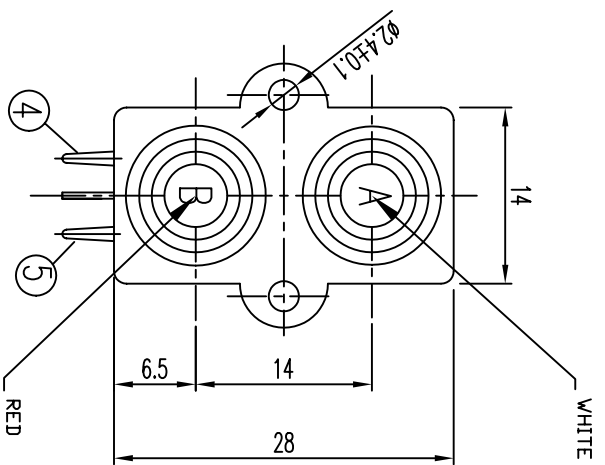
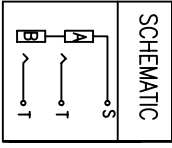


Rev	AWO #	Description	Date	Appr
-		RELEASED	7/27/04	

APPROVED: _____
 DATE: _____ TITLE: _____



T:1.6 Dimensions of PC board holes
 Tolerance : ±0.1 (Printed—bottom view)



QTY	DESCRIPTION	QTY	DESCRIPTION	QTY	DESCRIPTION	QTY	DESCRIPTION
1	HOUSING	1	ABS	1	ABS	1	ABS
2	WASHER	2	ABS	2	ABS	2	ABS
3	OUTER CONTACT	2	H65Y	2	H65Y	2	H65Y
4	TERMINAL	1	QSn6.5-0.1y	1	QSn6.5-0.1y	1	QSn6.5-0.1y
5	TERMINAL	1	H62y	1	H62y	1	H62y
6	EARTH TERMINAL	1	MB:Cu	1	Cu/Sn	1	PLATED

6 5 4 3 2 1

UNLESS OTHERWISE SPECIFIED ALL DIMENSIONS ARE MM [INCHES]			
TOLERANCES: EXCEPT AS NOTED			
INCHES		HOLDS	
.X	± .10	ØXX	± .10
.XX	± .020	ØXXX	± .015
.XXX	± .015	ØXXXX	± .010
APPROVALS			
DRAWN	SS	DATE	7/27/04
CHECKED			
APPROVED			

ADAM TECH		909 Rahway Avenue, Union, NJ 07083	
Phone: 908-687-5000 Fax: 908-687-5710			
TITLE		PART NO.	
RCA JACK, 2 PORT VERTICAL		RCA-V16-2-W/R-S	
TOP WHITE / BOTTOM RED		SCALE: NTS	
REV.		SHEET 1 OF 1	

A B C D