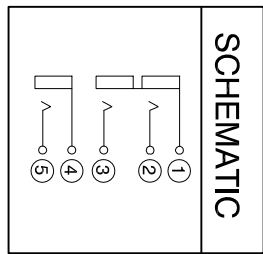
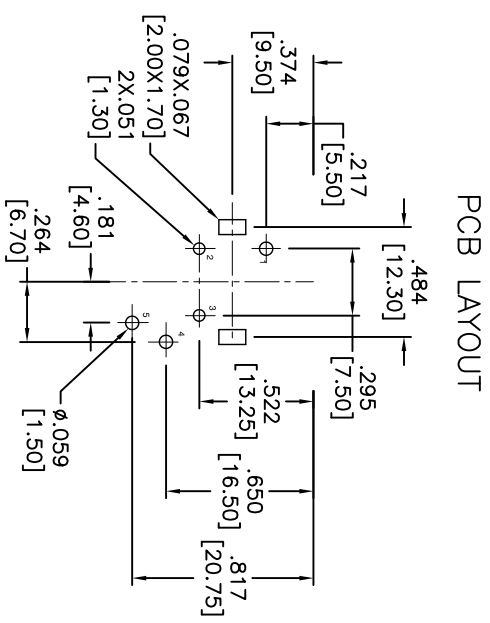
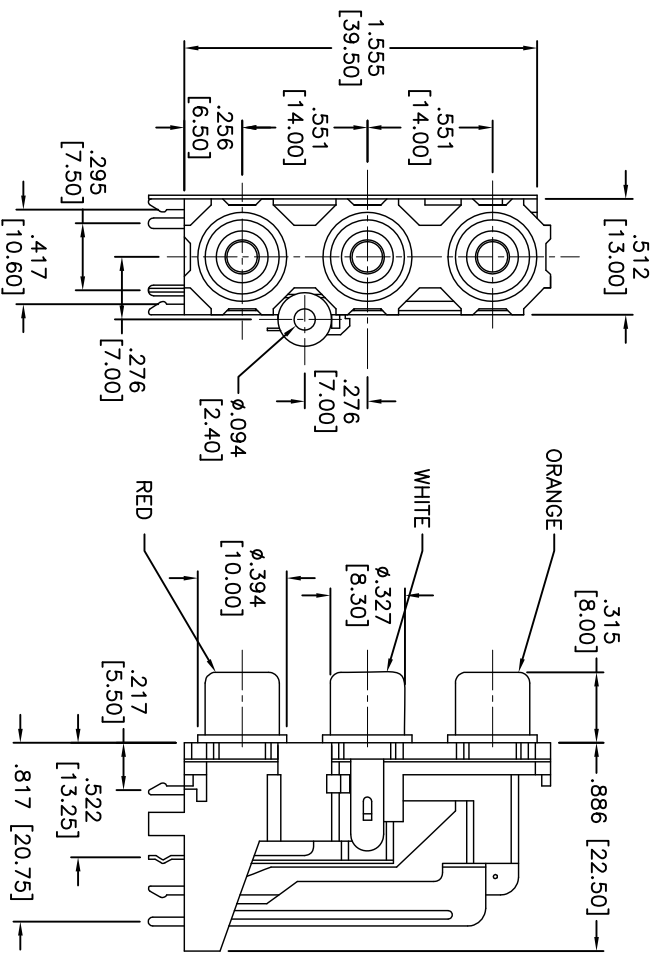


Rev	AWO #	Description	Date	Appr
-		RELEASED	10/4/12	

APPROVED: _____
DATE: _____ TITLE: _____



SPECIFICATIONS:

Material: Insulator: ABS, rated UL 94V-0
Insulator color: Yellow
Bushing: Brass, Gold plated
Contacts: Brass
Plating: Tin over Copper underplate overall
Electrical: Operating voltage: 50 VDC max.
Current rating: 0.3 Amp max.
Contact resistance: 30 mohms max.
Insulation resistance: 100 Mohms min.
Dielectric withstanding voltage: 500 VAC for 1 minute
Environmental: Lead free, RoHS compliant

ADAM TECH

909 Railway Avenue, Union, NJ 07083
Phone: 908-687-5000 Fax: 908-687-5710

RCA JACK, 3 PORT, RIGHT ANGLE, PCB MOUNT



UNLESS OTHERWISE SPECIFIED ALL DIMENSIONS ARE IN INCHES [MM]	
TOLERANCES: EXCEPT AS NOTED	
INCHES	HILES
.X ± .10	ϕ X ± .10
.XX ± .020	ϕ XX ± .015
.XXX ± .015	ϕ XXX ± .010
APPROVALS	DATE
DRAWN AY	10/4/12
CHECKED SC	10/4/12
APPROVED	

TITLE		PART NO.		REV.
RCA JACK, 3 PORT, RIGHT ANGLE, PCB MOUNT		RCA-V39-3-0W/R-Y-G		-
SIZE	X	SCALE	NIS	SHEET 1 OF 1
REF:	S00002C			