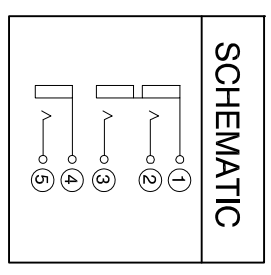
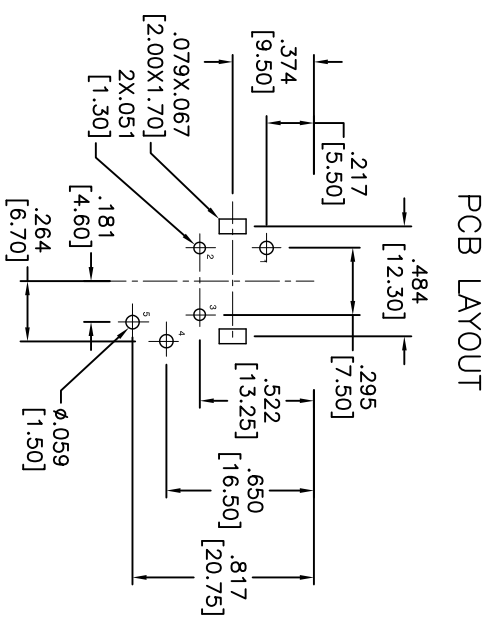
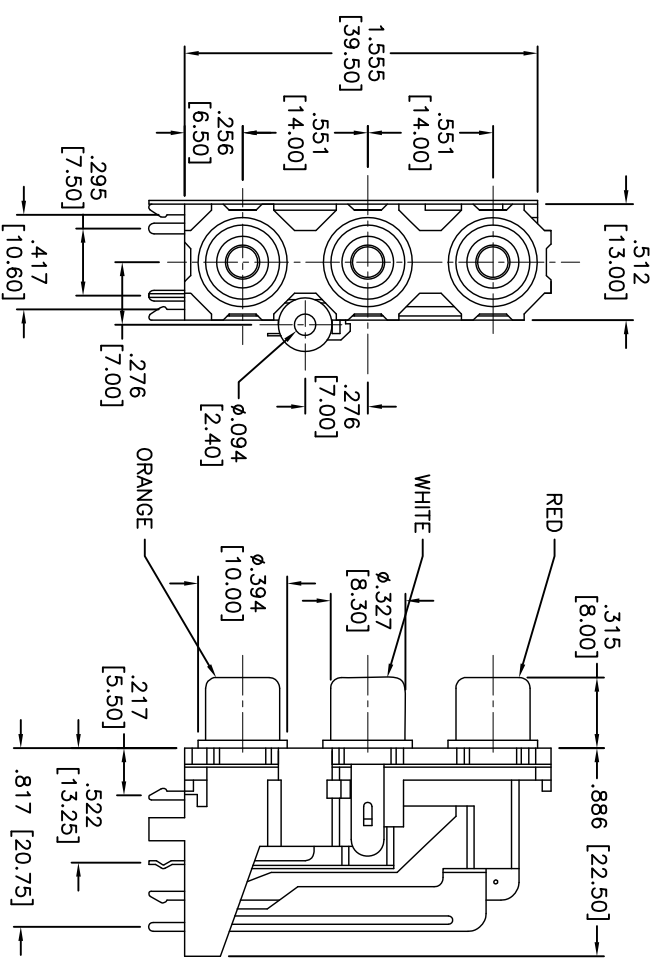


6	5	4	3	2	1
APPROVED: _____		DATE: _____		Rev	AWO #
TITLE: _____		Description		Released	10/1/12
		Date		Appr	



**SPECIFICATIONS:**

**Material:**

Insulator: ABS, rated UL 94V-0

Insulator color: Yellow

Bushing: Brass, Gold plated

Contacts: Brass

**Plating:**

Tin over Copper underplate overall

**Electrical:**

Operating voltage: 50 VDC max.

Current rating: 0.3 Amp max.

Contact resistance: 30 mohms max.

Insulation resistance: 100 Mohms min.

Dielectric withstanding voltage: 500 VAC for 1 minute

**Environmental:**

Lead free, RoHS compliant



**ADAM TECH**

909 Rahway Avenue, Union, NJ 07083  
Phone: 908-687-5000 Fax: 908-687-5710

RCA JACK, 3 PORT, RIGHT ANGLE, PCB MOUNT

UNLESS OTHERWISE SPECIFIED ALL DIMENSIONS ARE INCHES [MM]		
TOLERANCES: EXCEPT AS NOTED		
INCHES		HOLES
.X ±.10	ØX	±.10
.XX ±.020	ØXXX	±.015
.XXX ±.015	ØXXX	±.010
APPROVALS	DATE	
DRAWN AY	10/1/12	
CHECKED SC	10/1/12	
APPROVED		
SIZE	PART NO.	REV.
X	RCA-V39-3-R/W/O-Y-G	
REF: S0002C	SCALE: NTS	SHEET 1 OF 1