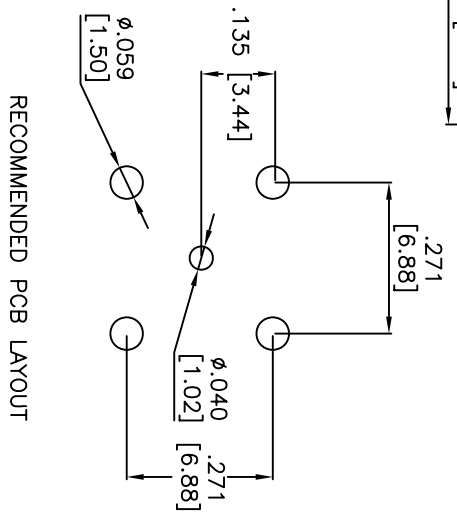
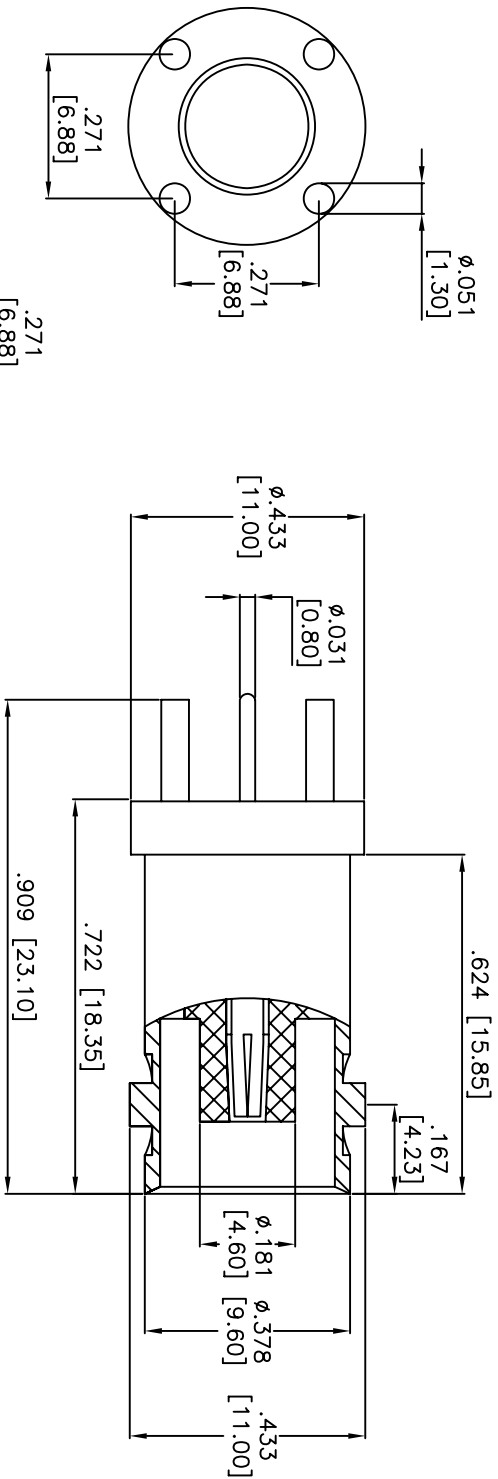


Rev	AWO #	Description	Date	Appr
-	9248	RELEASED	11/17/08	

APPROVED: _____
 DATE: _____ TITLE: _____



DESCRIPTION	MATERIAL	FINISH	QTY
CNETER CONTACT	BRASS	GOLD	1
WASHER	IRON	NICKEL	1
INSULATOR	POM	NONE	1
SHELL	ZINC ALLOY	TIN	1

SPECIFICATIONS:
 Electrical:
 Nominal Impedance: 50 ohms
 Frequency range: 0-4 GHz
 Working Voltage: 500 VRMS max.
 Dielectric Withstanding Voltage: 1500 VRMS min.
 Contact Resistance: 3 Milliohms max. (Center Contact)
 2 Milliohms max. (Outer Contact)
 Insulator Resistance: 5000 Megohms min.
 Environmental:
 Lead free, RoHS compliant.

UNLESS OTHERWISE SPECIFIED
 ALL DIMENSIONS ARE INCHES [MM]
 TOLERANCES: EXCEPT AS NOTED
 INCHES HOLES
 .X $\pm .10$ ϕ .X $\pm .10$
 .XX $\pm .020$ ϕ .XXX $\pm .015$
 .XXX $\pm .015$ ϕ .XXX $\pm .010$

ADAM TECH
 909 Rahway Avenue, Union, NJ 07083
 Phone: 908-687-5000 Fax: 908-687-5710

TITLE: BNC FEMALE RECEPTACLE

APPROVALS:

APPROVALS	DATE
DRAWN DY	11/17/08
CHECKED	
APPROVED	

SIZE PART NO.
 X RF1-86-D-00-50

REF: S00049T SCALE: NTS SHEET 1 OF 1

