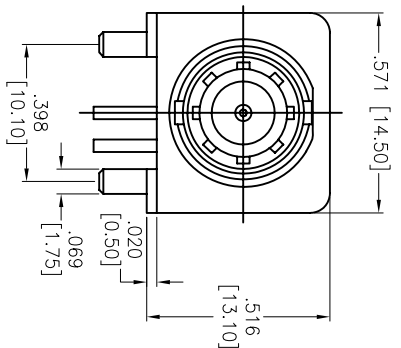
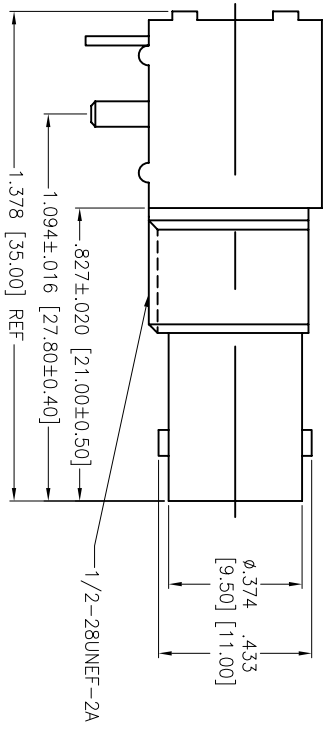
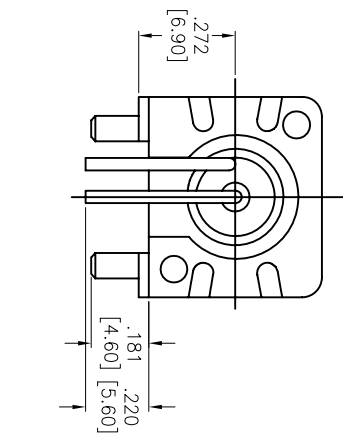
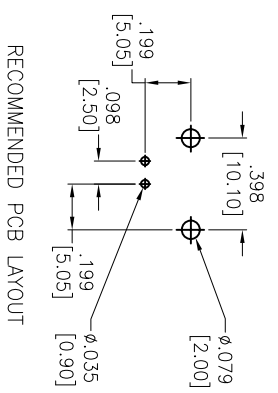
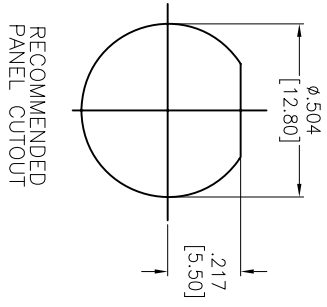


APPROVED: _____
 DATE: _____ TITLE: _____

Rev	AWO #	Description	Date	Appr
-		RELEASED	1/3/14	
A		REDRAWN	1/16/14	AVYC



DESCRIPTION	MATERIAL	FINISH
BODY	ZINC COPPER	NICKEL
CENTER CONTACT	BRASS	GOLD
LEAD	IRON	GOLD
FIXED FOOTREST	IRON	NICKEL
INSULATOR	POM	WHITE
FIXED MOUNT	PBT	WHITE
WASHER	BRASS	NICKEL
HEX NUT	BRASS	NICKEL
DESCRIPTION	MATERIAL	FINISH



RECOMMENDED PCB LAYOUT

SPECIFICATIONS:
 Electrical:
 Nominal Impedance: 75 ohms
 Frequency range: DC~3G
 VSWR: 1.3 max.
 Dielectric Withstanding Voltage: 1500 VRMS min.
 Insulator Resistance: 5000 Megohms min.
 Temperature Rating:
 -55°C to +105°C
 Environmental:
 Lead free, RoHS compliant.

ADAM TECH

909 Railway Avenue, Union, NJ 07083
 Phone: 908-687-5000 Fax: 908-687-5710

TITLE: RIGHT ANGLE BNC CONNECTOR, 75 OHM MACHINE CONTACT

UNLESS OTHERWISE SPECIFIED ALL DIMENSIONS ARE INCHES [MM]	
TOLERANCES: EXCEPT AS NOTED INCHES	
.X ± .10	ØX ± .10
.XX ± .020	ØXXX ± .015
.XXX ± .015	ØXXX ± .010
APPROVALS	DATE
DRAWN AY	1/3/14
CHECKED YC	1/3/14
APPROVED	

SIZE X	PART NO. RF1-01-D-00-75-MC	REV. A
REF: 500128C	SCALE: NTS	SHEET 1 OF 1



6 5 4 3 2 1