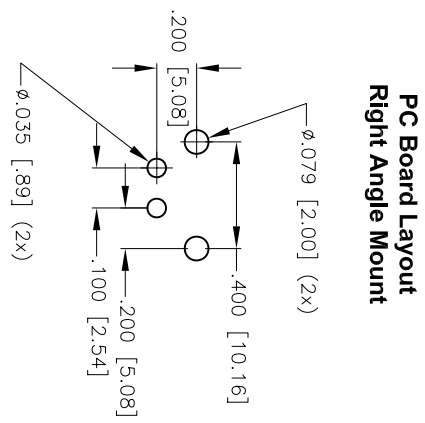
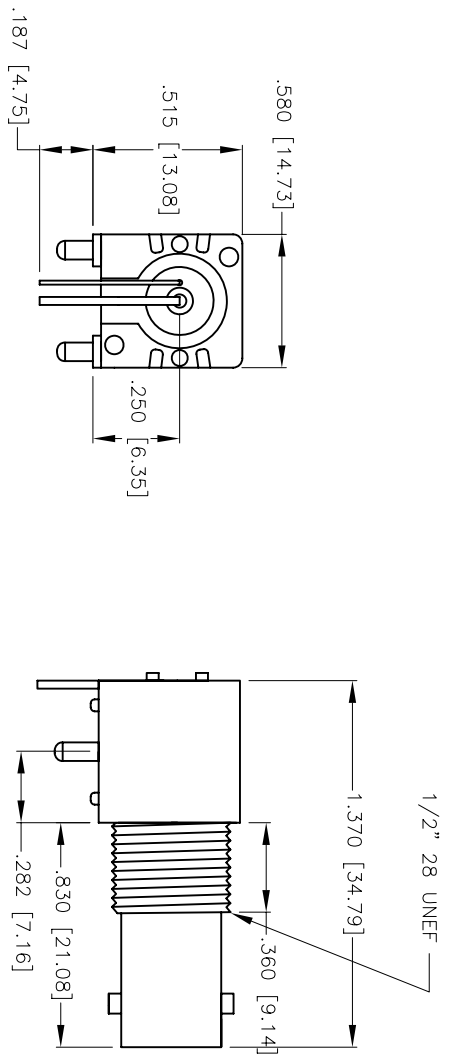


Rev	AWO #	Description	Date	Appr
-		RELEASED	4/29/08	

APPROVED: _____
 DATE: _____ TITLE: _____



CONNECTOR SPECIFICATIONS:

MATERIAL:

Shell: Zinc

Insulator: Polybutylene Terephthalate (PBT), glass reinforced
 thermoplastic, rated UL94V-0

Insulator Color: Black

Dielectric: Delrin

Contacts: Phosphor Bronze

PLATING:

15 uin gold on mating area

200 uin (min) tin-lead on solder tails

ELECTRICAL:

Operation Voltage: 500 VAC max.

Impedance: 75 ohms; Frequency Range: 0-4 GHz

Contact Resistance: Inner: 6 - Outer; 3 mohms

Insulation Resistance: 5000 Mohms (min.) @ 1500 VDC

between adjacent contacts (75°F and 50 % R.H.)

Dielectric Withstanding Voltage: 1500 VAC (min.) rms

MECHANICAL:

Insertion Force: 0 gms:

Cable Retention: 60 lbs. (min.)

Mating Durability: 500 cycles (min.)

ENVIRONMENTAL:

Operating Temperature: -55°C to +85°C

Environmental:

Lead free, RoHS compliant.

Recommended soldering temp: 235°C for 5 sec.



UNLESS OTHERWISE SPECIFIED
 ALL DIMENSIONS ARE MM [INCHES]
 TOLERANCES: EXCEPT AS NOTED
 INCHES

.X	± .10	ØX	± .10
.XX	± .020	ØXXX	± .015
.XXX	± .015	ØXXX	± .010

APPROVALS

DRAWN	SLS	4/29/08
-------	-----	---------

CHECKED		
---------	--	--

APPROVED		
----------	--	--

ADAM TECH
 909 Rahway Avenue, Union, NJ 07083
 Phone: 908-687-5000 Fax: 908-687-5710

Right Angle BNC Connector, 75 OHM

TITLE	SIZE	PART NO.	REV.
	X	RF1-01-D-00-75	
REF:	SCALE:	NTS	SHEET 1 OF 1