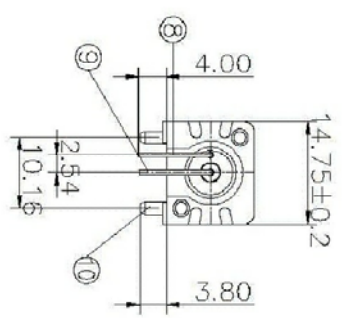
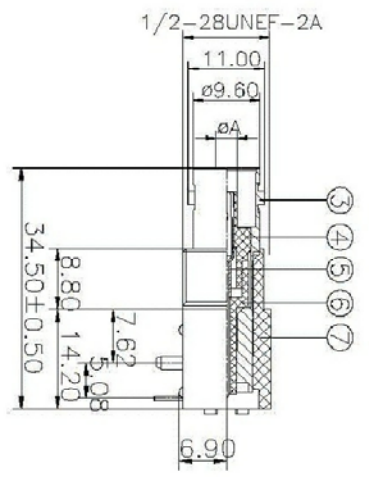
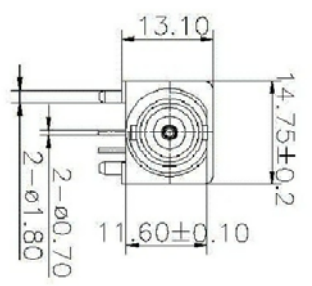
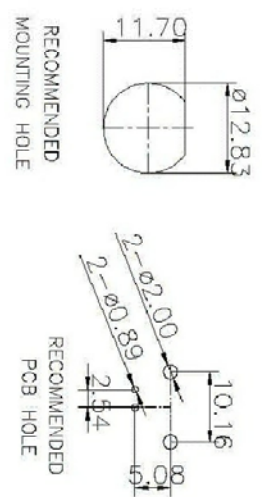


Rev	AWO #	Description	Date	Appr
-		RELEASED	1/16/14	

APPROVED: \_\_\_\_\_ TITLE: \_\_\_\_\_

DATE: \_\_\_\_\_

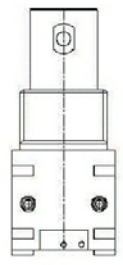


DESCRIPTION	MATERIAL	FINISH
FIXTURE	BRASS	TIN
CONTACT WIRE	BRASS	TIN
CONTACT WIRE	BRASS	TIN
HOUSING	PBT	BLACK
INSULATOR	PP	BLACK
CONTACT PIN	PHOSPHOR BRONZE	GOLD
DESCRIPTION	MATERIAL	FINISH

**SPECIFICATIONS:**

**Electrical:**

Nominal Impedance: 50 ohms  
 Frequency range: 0-4 GHz  
 Working Voltage: 500 VRMS max.  
 Dielectric Withstanding Voltage: 1500 VRMS min.  
 Contact Resistance: 3 Milliohms max. (Center Contact)  
 2 Milliohms max. (Outer Contact)  
 Insulator Resistance: 5000 Megohms min.  
 Environmental:  
 Lead free, RoHS compliant.



UNLESS OTHERWISE SPECIFIED ALL DIMENSIONS ARE INCHES [MM]	
TOLERANCES: EXCEPT AS NOTED	
INCHES	HOLES
.X ± .10	∅.X ± .10
.XX ± .020	∅.XX ± .015
.XXX ± .015	∅.XXX ± .010
APPROVALS	DATE
DRAWN AY	1/16/14
CHECKED NP	1/16/14
APPROVED	

**ADAM TECH**  
 909 Rahway Avenue, Union, NJ 07083  
 Phone: 908-687-5000 Fax: 908-687-5710

TITLE: RIGHT ANGLE BNC CONNECTOR, 50 OHM

SIZE	PART NO.	REV.
X	RF1-01-P-00-50-BK	-
REF:	S00049T	
SCALE:	NIS	
SHEET	1 OF 1	

