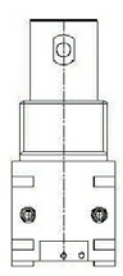
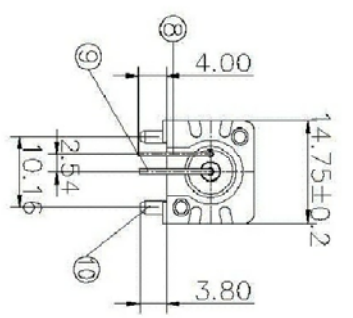
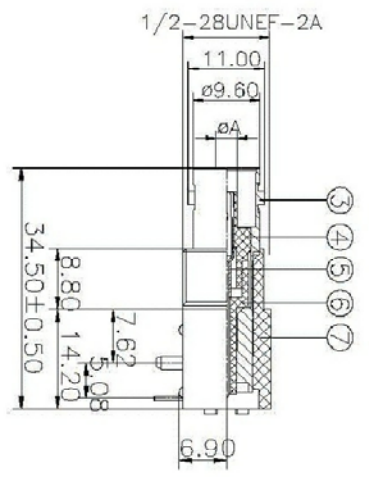
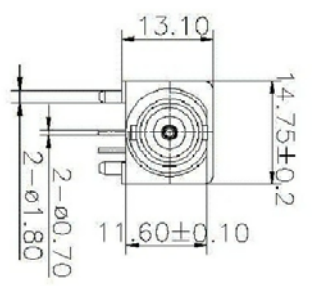
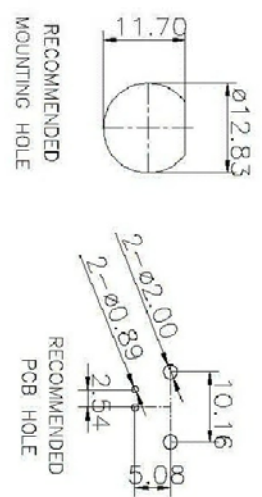


APPROVED: _____ TITLE: _____
 DATE: _____

Rev	AWO #	Description	Date	Appr
-		RELEASED	4/2/04	
A		REDRAWN	11/02/12	



DESCRIPTION	MATERIAL	FINISH
FIXTURE	BRASS	TIN
CONTACT WIRE	BRASS	TIN
CONTACT WIRE	BRASS	TIN
HOUSING	PBT	NATURAL
INSULATOR	PP	NATURAL
CONTACT PIN	PHOSPHOR BRONZE	GOLD
DESCRIPTION	MATERIAL	FINISH

SPECIFICATIONS:

Electrical:

Nominal Impedance: 50 ohms
 Frequency range: 0-4 GHz
 Working Voltage: 500 VRMS max.
 Dielectric Withstanding Voltage: 1500 VRMS min.
 Contact Resistance: 3 Milliohms max. (Center Contact)
 2 Milliohms max. (Outer Contact)
 Insulator Resistance: 5000 Megohms min.
 Environmental:
 Lead free, RoHS compliant.



UNLESS OTHERWISE SPECIFIED
 ALL DIMENSIONS ARE INCHES [MM]
 TOLERANCES: EXCEPT AS NOTED
 INCHES HOLES
 .X ±.10 ∅.X ±.10
 .XX ±.020 ∅.XX ±.015
 .XXX ±.015 ∅.XXX ±.010

ADAM TECH
 909 Rahway Avenue, Union, NJ 07083
 Phone: 908-687-5000 Fax: 908-687-5710

APPROVALS	DATE
DRAWN	SIS
CHECKED	
APPROVED	

SIZE	PART NO.	REV.
X	RF1-01-P-00-50	A

RIGHT ANGLE BNC CONNECTOR, 50 OHM

REF: S00049T SCALE: NTS SHEET 1 OF 1