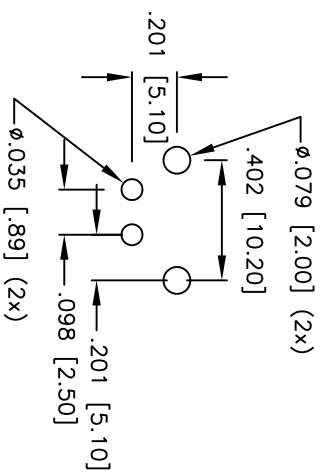
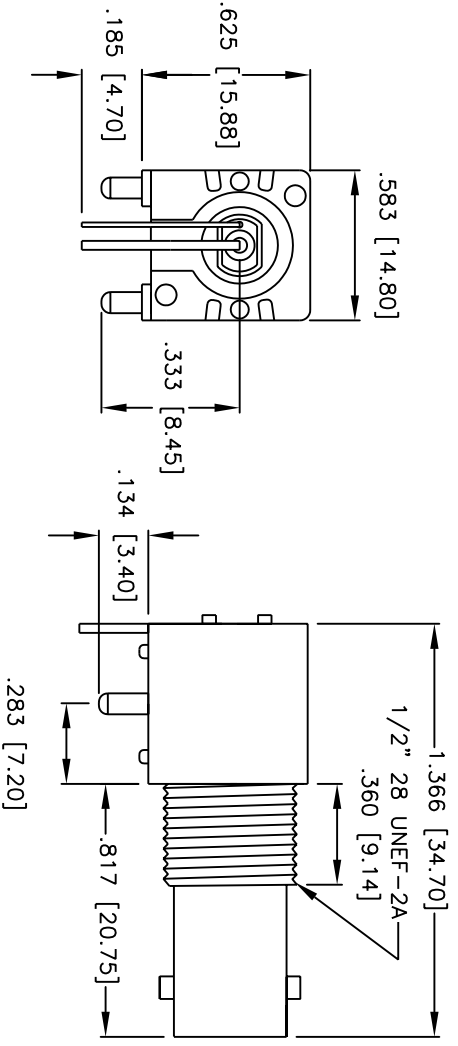


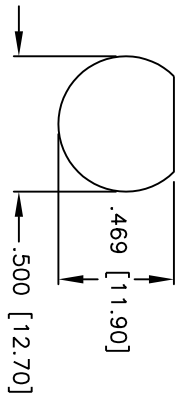
Rev	Description	Date	Appr
-	Released	07/18/04	BAS

APPROVED: _____



RECOMMENDED
PCB LAYOUT
RIGHT ANGLE MOUNT

RECOMMENDED
PANEL CUTOUT



SPECIFICATIONS:

- Material: Metal.
- Housing: Phosphor Bronze, gold & tin plating
- Contact: Zinc Alloy
- Electrical:
 - Nominal Impedance: 50 ohms
 - Frequency range: 0-4 GHz
 - Maximum peak voltage: 500V
 - Insulation resistance: 5000 Mohm min @ 500 VDC
 - Dielectric withstanding voltage: 1500 VAC rms

ADAM TECH		DESCRIPTION: Right Angle BNC	
		PART NUMBER: RF1-01A-00-P-50-M	
Dimension in IN [MM]	Tolerance (Unless Otherwise Specified) XX ± .01 XXX ± .005	DRAWN : SS	APPR : -
Date: 09/04/98	SCALE : NTS	SHEET 1 OF 1 SHEETS	LOG REF. REV. -