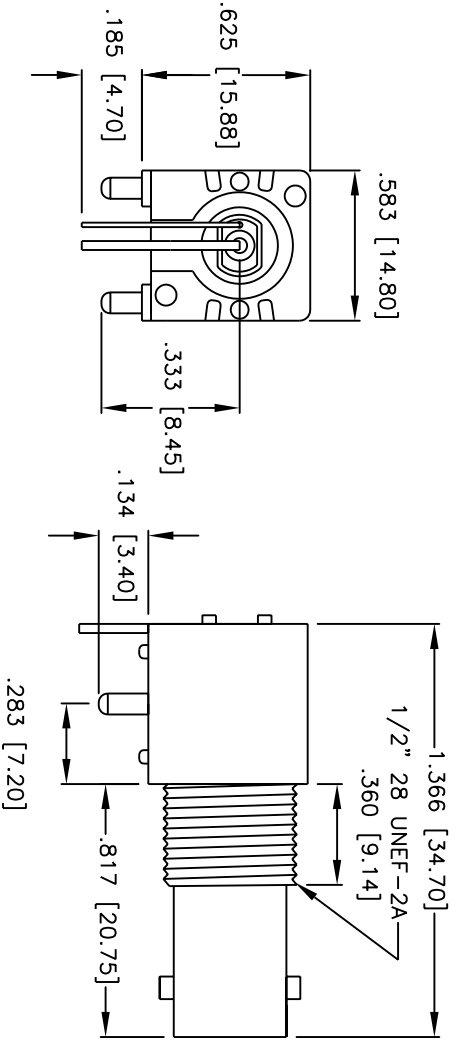
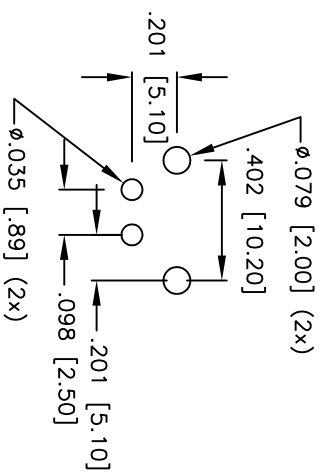


Rev	Description	Date	Appr
-	Preliminary	09/04/98	

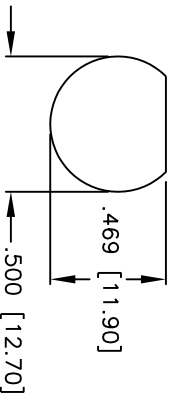
APPROVED: _____



RECOMMENDED
PCB LAYOUT
RIGHT ANGLE MOUNT



RECOMMENDED
PANEL CUTOUT



SPECIFICATIONS:

- Material: _____
- Housing: Polybutylene Terephthalate (PBT) Color White.
- Contact: Phosphor Bronze, gold & tin plating
- Body: Zinc Alloy
- Electrical: _____
- Nominal Impedance: 50 ohms
- Frequency range: 0-4 GHz
- Maximum peak voltage: 500V
- Insulation resistance: 5000 Mohm min @ 500 VDC
- Dielectric withstanding voltage: 1500 VAC rms

ADAM TECH		DESCRIPTION: Right Angle BNC	
		PART NUMBER: RF1-01A-00-D-50-WT	
Dimension in IN [MM]	Tolerance (Unless Otherwise Specified) XX ± .01 XXX ± .005	DRAWN : SS	APPR : -
Date: 09/04/98	SCALE : NTS	SHEET 1	LOG REF. REV.
		OF 1 SHEETS	-