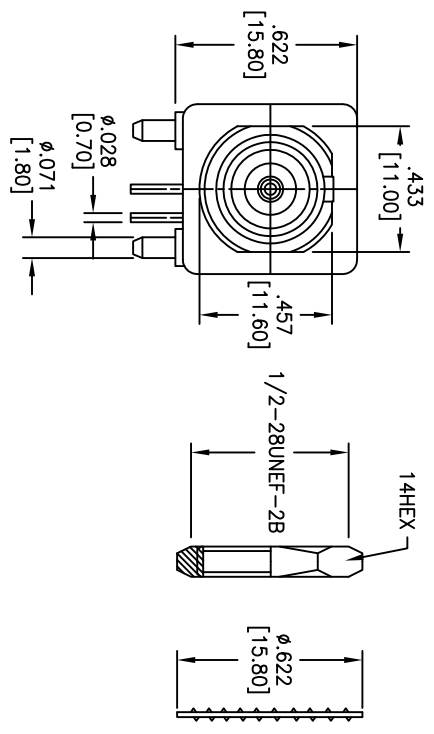
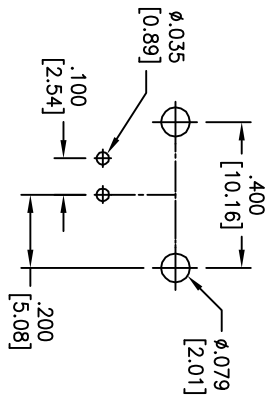
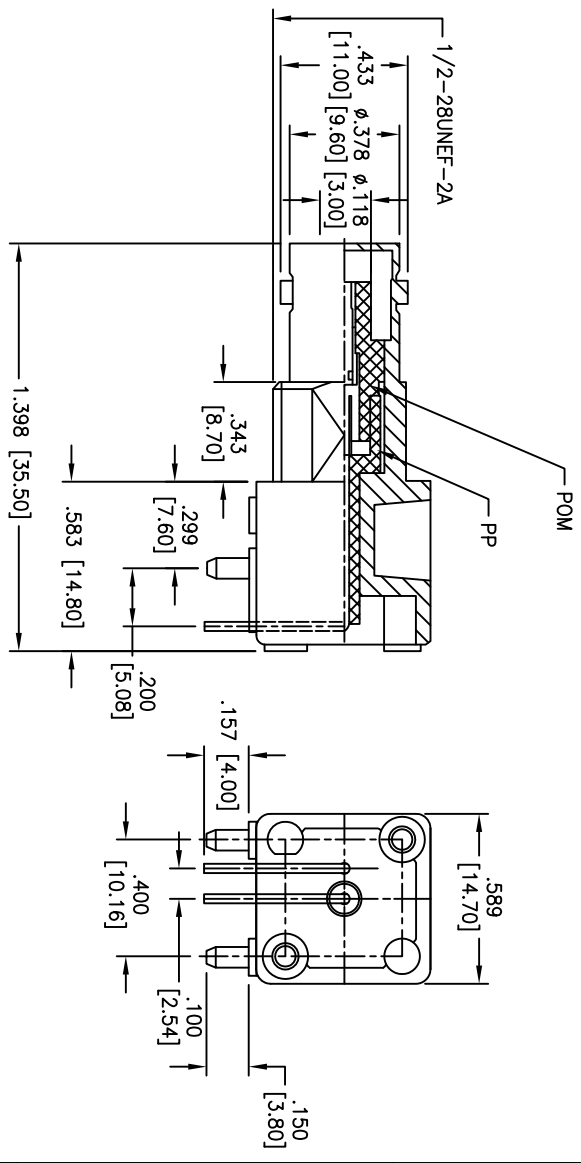


Rev	AWO #	Description	Date	Appr
-		RELEASED	4/25/11	

APPROVED: \_\_\_\_\_ TITLE: \_\_\_\_\_  
 DATE: \_\_\_\_\_



NUT	BRASS	NICKEL	1
WASHER	IRON	NICKEL	1
FIXTURE	BRASS	TIN	2
CENTER PIN	PHOSPHOR BRONZE	GOLD	1
CONTACT WIRE	BRASS	TIN	1
INSULATOR	PP	NONE	1
INSULATOR	POM	NONE	1
BODY	ZINC ALLOY	NICKEL	1
DESCRIPTION	MATERIAL	FINISH	QTY



RECOMMENDED PCB HOLE

**SPECIFICATIONS**

**Electrical**  
 Nominal Impedance: 75 Ohms  
 Frequency Range: 0 – 1 GHz  
 Maximum Peak Voltage: 500V  
 Insulation Resistance: 5000 Mohms min @ 500 VDC  
 Dielectric Withstanding Voltage: 1500 VAC rms.  
**Environmental:**  
 Lead free, RoHS compliant.  
 Recommended soldering temp: 235 for 5 sec.



**ADAM TECH**

909 Railway Avenue, Union, NJ 07083  
 Phone: 908-687-5000 Fax: 908-687-5710

RF CONNECTOR, TYPE BNC  
 RIGHT ANGLE, PCB, 75 OHM

UNLESS OTHERWISE SPECIFIED ALL DIMENSIONS ARE MM [INCHES] TOLERANCES: EXCEPT AS NOTED		TITLE	
INCHES	HOLES	RF CONNECTOR, TYPE BNC	
.X ± .10	ØXX ± .10	RIGHT ANGLE, PCB, 75 OHM	
.XX ± .020	ØXXX ± .015		
.XXX ± .015	ØXXXX ± .010		
APPROVALS		DATE	
DRAWN	AY	4/25/11	
CHECKED	RC	4/25/11	
APPROVED			
SIZE	PART NO.	REV.	
X	RF1-01A-D-00-75-M-HDW	-	
REF:	S00049T	SCALE:	NTS
SHEET 1 OF 1			