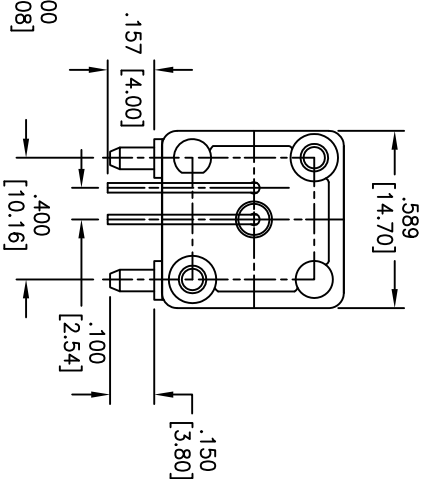
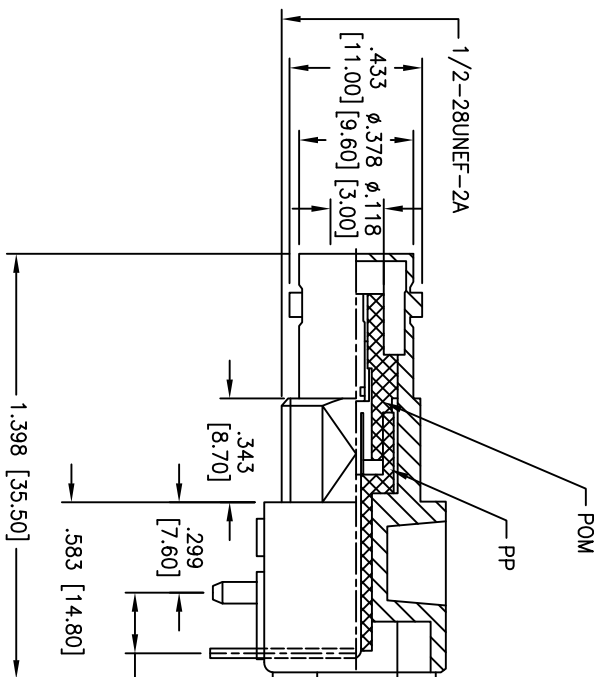
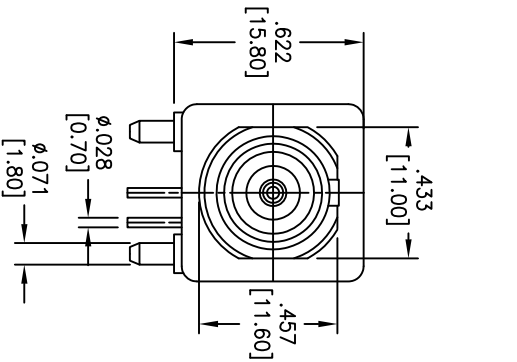
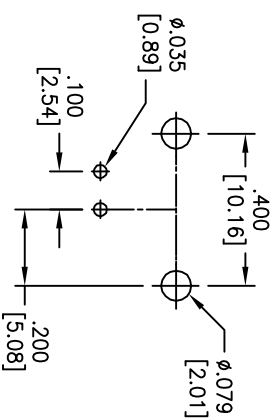


APPROVED: _____
 DATE: _____ TITLE: _____

| Rev | AWO # | Description | Date | Appr |
|-----|-------|-------------|----------|------|
| - | | RELEASED | 12/27/05 | |
| A | | REDRAWN | 4/25/11 | |



| FIXTURE | BRASS | TIN | 2 |
|--------------|-----------------|--------|-----|
| CENTER PIN | PHOSPHOR BRONZE | GOLD | 1 |
| CONTACT WIRE | BRASS | TIN | 1 |
| INSULATOR | PP | NONE | 1 |
| INSULATOR | POM | NONE | 1 |
| BODY | ZINC ALLOY | NICKEL | 1 |
| DESCRIPTION | MATERIAL | FINISH | QTY |



RECOMMENDED PCB HOLE

SPECIFICATIONS

Electrical
 Nominal Impedance: 75 Ohms
 Frequency Range: 0 – 1 GHz
 Maximum Peak Voltage: 500V
 Insulation Resistance: 5000 Mohms min @ 500 VDC
 Dielectric Withstanding Voltage: 1500 VAC rms.
 Environmental:
 Lead free, RoHS compliant.



ADAM TECH

909 Rahway Avenue, Union, NJ 07083
 Phone: 908-687-5000 Fax: 908-687-0214

RF CONNECTOR, TYPE BNC, HI-TEMP
 RIGHT ANGLE, PCB, 75 OHM,

| | |
|---|--------|
| UNLESS OTHERWISE SPECIFIED ALL DIMENSIONS ARE MM [INCHES] TOLERANCES: EXCEPT AS NOTED | |
| INCHES | HOLES |
| .X ± .10 | ± .10 |
| .XX ± .020 | ± .015 |
| .XXX ± .015 | ± .010 |
| APPROVALS | DATE |
| DRAWN | SLS |
| CHECKED | |
| APPROVED | |

| | | | |
|--|------------|----------------------|------|
| TITLE | SIZE | PART NO. | REV. |
| RF CONNECTOR, TYPE BNC, HI-TEMP RIGHT ANGLE, PCB, 75 OHM, | X | RF1-01A-D-00-75-M-HT | A |
| REF: S00049T | SCALE: NTS | SHEET 1 OF 1 | |