

6

5

4

3

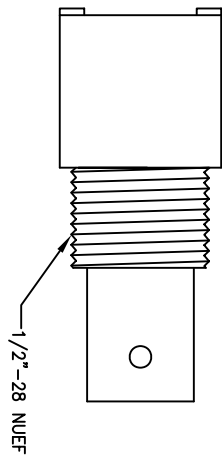
2

1

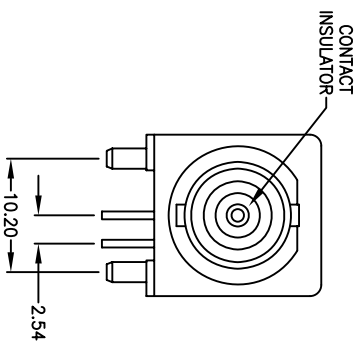
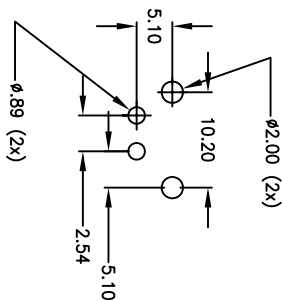
Rev	AWO #	Description	Date	Appr
-		RELEASED	4/29/08	

APPROVED: _____ TITLE: _____

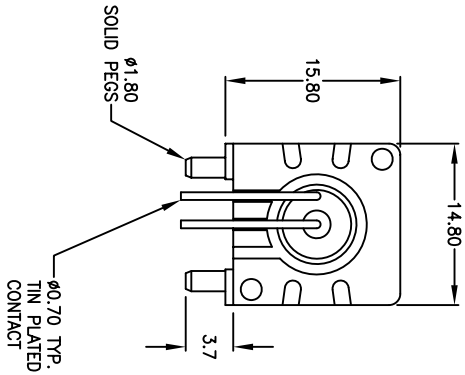
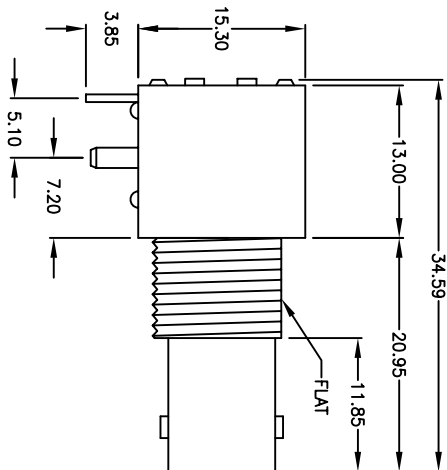
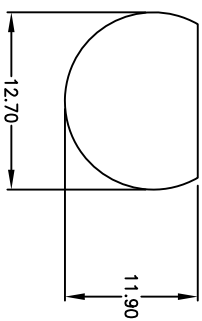
DATE: _____



RECOMMENDED
PC Board Layout
Right Angle Mount



RECOMMENDED
PANEL CUTOUT



SPECIFICATIONS

Material:
Body: PBT, Color Black
Contact Insulation: Polypropylene, color white.
Contacts: Phosphor Bronze, Gold and Tin plated.
Dielectric: Delrin

Electrical
Nominal Impedance: 75 Ohms
Frequency Range: 0 – 4 GHz
Maximum Peak Voltage: 500V
Insulation Resistance: 5000 Mohms min @ 500 VDC
Dielectric Withstanding Voltage: 1500 VAC rms.

Environmental:
Lead free, RoHS compliant.
Recommended soldering temp: 235 for 5 sec.



UNLESS OTHERWISE SPECIFIED ALL DIMENSIONS ARE MM [INCHES] TOLERANCES: EXCEPT AS NOTED	
INCHES	HOLDS
X ± .10	ØX ± .10
.XX ± .020	ØXX ± .015
.XXX ± .015	ØXXX ± .010
APPROVALS	DATE
DRAWN	SS
CHECKED	
APPROVED	

ADAM TECH
909 Railway Avenue, Union, NJ 07083
Phone: 908-687-5000 Fax: 908-687-5710

TITLE: BNC, RIGHT ANGLE, 75 ohm

SIZE	PART NO.	REV.
X	RF1-01A-D-00-75	-
REF:	SCALE: NTS	SHEET 1 OF 1

6

5

4

3

2

1