

6

5

4

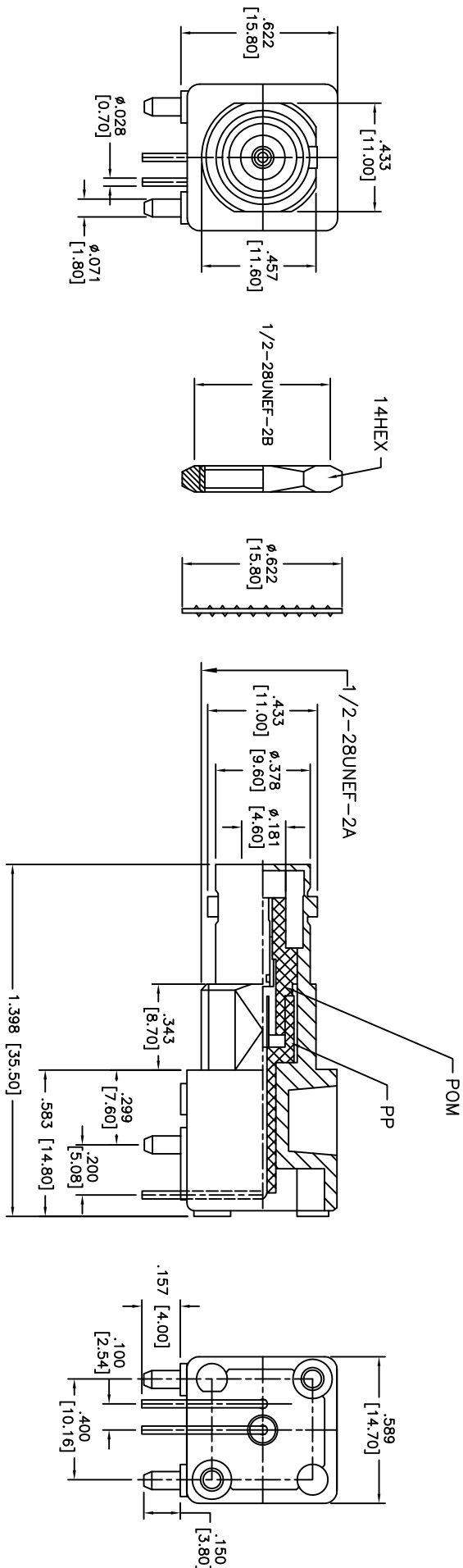
3

2

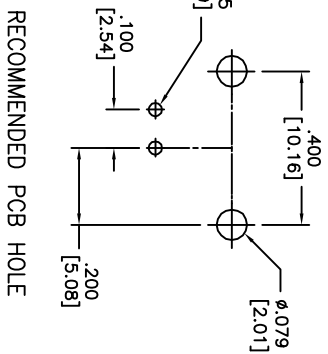
1

APPROVED: \_\_\_\_\_  
DATE: \_\_\_\_\_ TITLE: \_\_\_\_\_

Rev	AWO #	Description	Date	Appr
-		RELEASED	7/2/08	
A	12477	REDRAWN	10/4/12	



NUT	BRASS	NICKEL	1
WASHER	IRON	NICKEL	1
FIXTURE	BRASS	TIN	2
CENTER PIN	PHOSPHOR BRONZE	GOLD	1
CONTACT WIRE	BRASS	TIN	1
INSULATOR	PP	NONE	1
INSULATOR	POM	NONE	1
BODY	ZINC ALLOY	NICKEL	1
DESCRIPTION	MATERIAL	FINISH	QTY



### SPECIFICATIONS

#### Electrical

Nominal Impedance: 50 Ohms  
 Frequency Range: 0 – 4 GHz  
 Maximum Peak Voltage: 500V  
 Insulation Resistance: 5000 Mohms min @ 500 VDC  
 Dielectric Withstanding Voltage: 1500 VAC rms.  
 Environmental:  
 Lead free, RoHS compliant.



A

B

C

D

A

B

C

D

# ADAM TECH

909 Ratway Avenue, Union, NJ 07083  
 Phone: 908-687-5000 Fax: 908-687-5710

TITLE: BNC CONNECTOR, RIGHT ANGLE  
 50 OHMS, WITH HARDWARE

UNLESS OTHERWISE SPECIFIED ALL DIMENSIONS ARE INCHES [MM]		TOLERANCES: EXCEPT AS NOTED	
.X	± .10	Ø.X	± .10
.XX	± .020	Ø.XXX	± .015
.XXX	± .015	Ø.XXXX	± .010
APPROVALS		DATE	
DRAWN	SS	7/2/08	
CHECKED			
APPROVED			
REF: S00049T	SCALE: NTS	SHEET 1 OF 1	REV: A

6

5

4

3

2

1