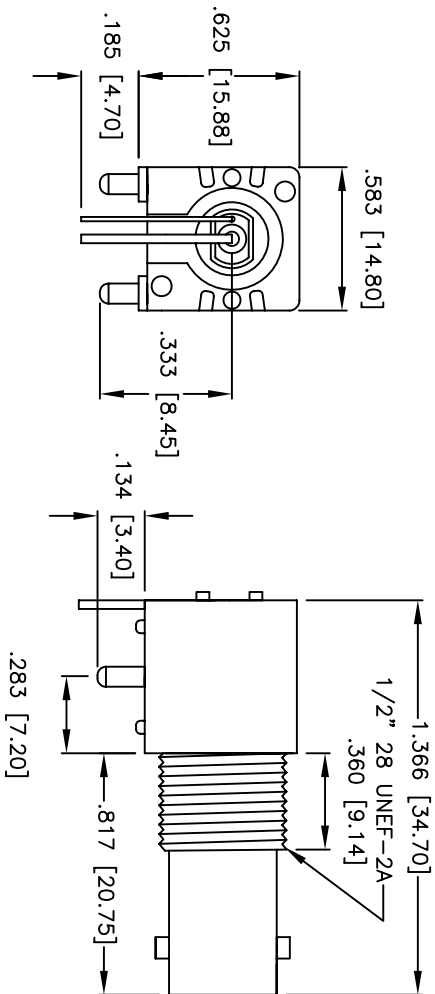
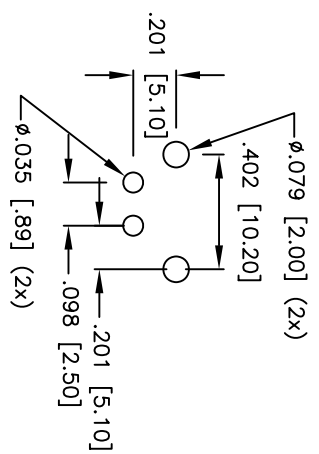


Rev	AWO #	Description	Date	Appr
-		RELEASED	8/29/07	

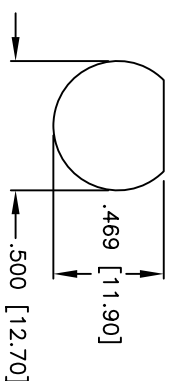
APPROVED: _____
 DATE: _____ TITLE: _____



RECOMMENDED
 PCB LAYOUT
 RIGHT ANGLE MOUNT



RECOMMENDED
 PANEL CUTOUT



SPECIFICATIONS:

Material:

Housing: Metal.

Contact: Phosphor Bronze, gold & tin plating

Body: Zinc Alloy

Electrical:

Environmental:

Nominal Impedance: 75 ohms

Frequency range: 0-4 GHz

Maximum peak voltage: 500V

Insulation resistance: 5000 Mohm min @ 500 VDC

Dielectric withstanding voltage: 1500 VAC rms

Environmental:

Lead free, RoHS compliant.

Recommended soldering temp: 235°C for 5 sec.



UNLESS OTHERWISE SPECIFIED ALL DIMENSIONS ARE INCHES [MM]	
TOLERANCES: EXCEPT AS NOTED	
INCHES	HILES
.X ± .10	Ø.X ± .10
.XX ± .020	Ø.XX ± .015
.XXX ± .015	Ø.XXX ± .010
APPROVALS	
DRAWN	DATE
SS	10/29/07
CHECKED	
APPROVED	

ADAM TECH
 909 Railway Avenue, Union, NJ 07083
 Phone: 908-687-5000 Fax: 908-687-5710

TITLE
**BNC CONNECTOR, RIGHT ANGLE
 75 OHMS**

SIZE	PART NO.	REV.
X	RF1-01A-P-00-75-M	
REF:	SCALE: NTS	SHEET 1 OF 1