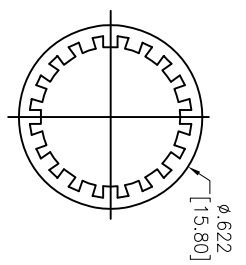
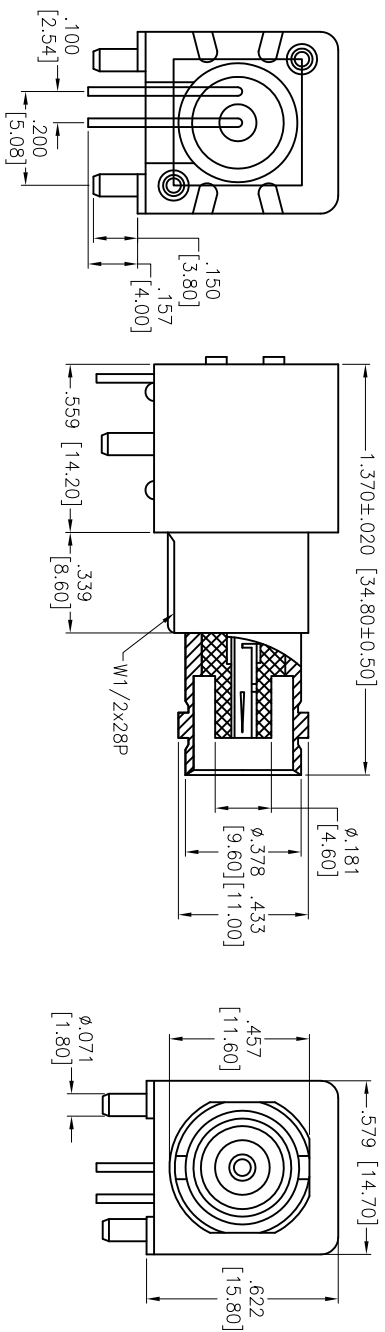
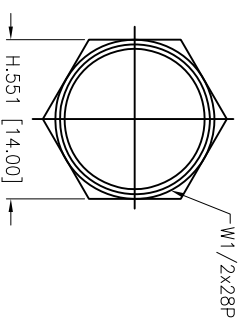


Rev	AWO #	Description	Date	Appr
-		RELEASED	06/18/13	

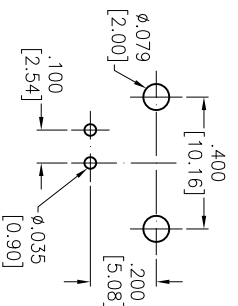
APPROVED: _____
 DATE: _____ TITLE: _____



LOCK WASHER



CLAMP NUT



RECOMMENDED PCB LAYOUT

DESCRIPTION	MATERIAL	FINISH
NUT	ZINC COPPER	NICKEL
WASHER	STEEL	NICKEL
FIXTURE	BRASS	TIN
CONTACT PIN	PHOSPHOR BRONZE	GOLD
CENTER CONTACT	BRASS	TIN
CONTACT WIRE	BRASS	TIN
INSULATOR	POM	NONE
BODY	ZINC COPPER	NICKEL
HOUSING	PBT	BLACK
DESCRIPTION	MATERIAL	FINISH

SPECIFICATIONS:

Electrical:
 Nominal Impedance: 50 ohms
 Frequency range: 0-4 GHz
 Working Voltage: 500 VRMS max.
 Dielectric Withstanding Voltage: 1500 VRMS min.
 Contact Resistance: 3 Milliohms max. (Center Contact)
 2 Milliohms max. (Outer Contact)
 Insulator Resistance: 5000 Megohms min.
Environmental:
 Lead free, RoHS compliant.

ADAM TECH

909 Railway Avenue, Union, NJ 07083
 Phone: 908-687-5000 Fax: 908-687-5710

TITLE: RF CONNECTOR, BNC TYPE, RIGHT ANGLE
 50 ohm, PCB MOUNT, COLOR BLACK

UNLESS OTHERWISE SPECIFIED ALL DIMENSIONS ARE MM [INCHES] TOLERANCES: EXCEPT AS NOTED	
INCHES	HOLES
.X ± .10	ØXX ± .10
.XX ± .020	ØXXX ± .015
.XXX ± .015	ØXXXX ± .010
APPROVALS	DATE
DRAWN TW	06/18/13
CHECKED LW	06/18/13
APPROVED	

REF: S00049T	SCALE: NTS	SHEET 1 OF 1
SIZE X	PART NO. RF1-01B-D-00-50-HDW	REV.

