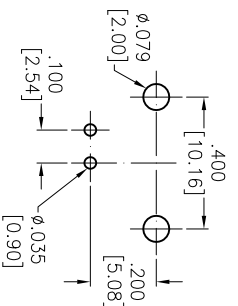
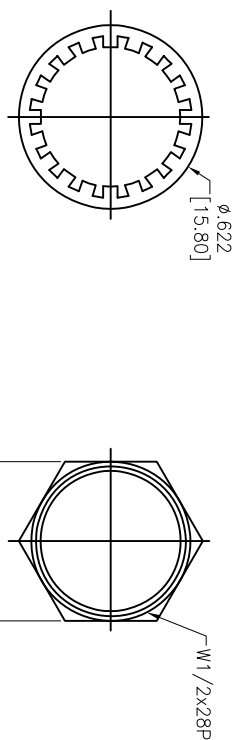
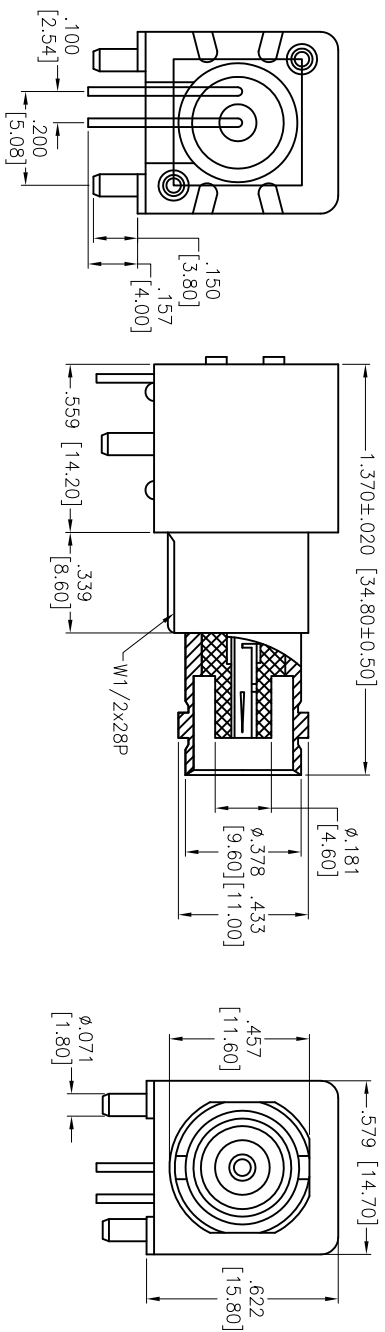


Rev	AWO #	Description	Date	Appr
-		RELEASED	06/18/13	

APPROVED: \_\_\_\_\_  
 DATE: \_\_\_\_\_ TITLE: \_\_\_\_\_



DESCRIPTION	MATERIAL	FINISH
NUT	ZINC COPPER	NICKEL
WASHER	STEEL	NICKEL
FIXTURE	BRASS	TIN
CONTACT PIN	PHOSPHOR BRONZE	GOLD
CENTER CONTACT	BRASS	TIN
CONTACT WIRE	BRASS	TIN
INSULATOR	POM	NONE
BODY	ZINC COPPER	NICKEL
HOUSING	PBT	WHITE
DESCRIPTION	MATERIAL	FINISH

**SPECIFICATIONS:**

**Electrical:**  
 Nominal Impedance: 50 ohms  
 Frequency range: 0-4 GHz  
 Working Voltage: 500 VRMS max.  
 Dielectric Withstanding Voltage: 1500 VRMS min.  
 Contact Resistance: 3 Milliohms max. (Center Contact)  
 2 Milliohms max. (Outer Contact)  
 Insulator Resistance: 5000 Megohms min.  
**Environmental:**  
 Lead free, RoHS compliant.

LOCK WASHER

CLAMP NUT

RECOMMENDED PCB LAYOUT

**ADAM TECH**

909 Railway Avenue, Union, NJ 07083  
 Phone: 908-687-5000 Fax: 908-687-5710

TITLE: RF CONNECTOR, BNC TYPE, RIGHT ANGLE  
 50 ohm, PCB MOUNT, COLOR WHITE

UNLESS OTHERWISE SPECIFIED ALL DIMENSIONS ARE MM [INCHES] TOLERANCES: EXCEPT AS NOTED	
INCHES	HOLES
.X ± .10	ØXX ± .10
.XX ± .020	ØXXX ± .015
.XXX ± .015	ØXXXX ± .010
APPROVALS	DATE
DRAWN TW	06/18/13
CHECKED LW	06/18/13
APPROVED	

REF: S00049T	SCALE: NTS	SHEET 1 OF 1
SIZE X	PART NO. RF-1-01B-D-00-50-WT-HDW	REV.

