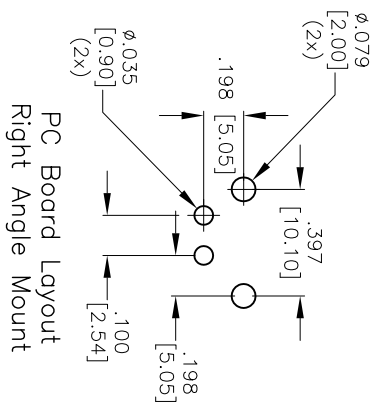
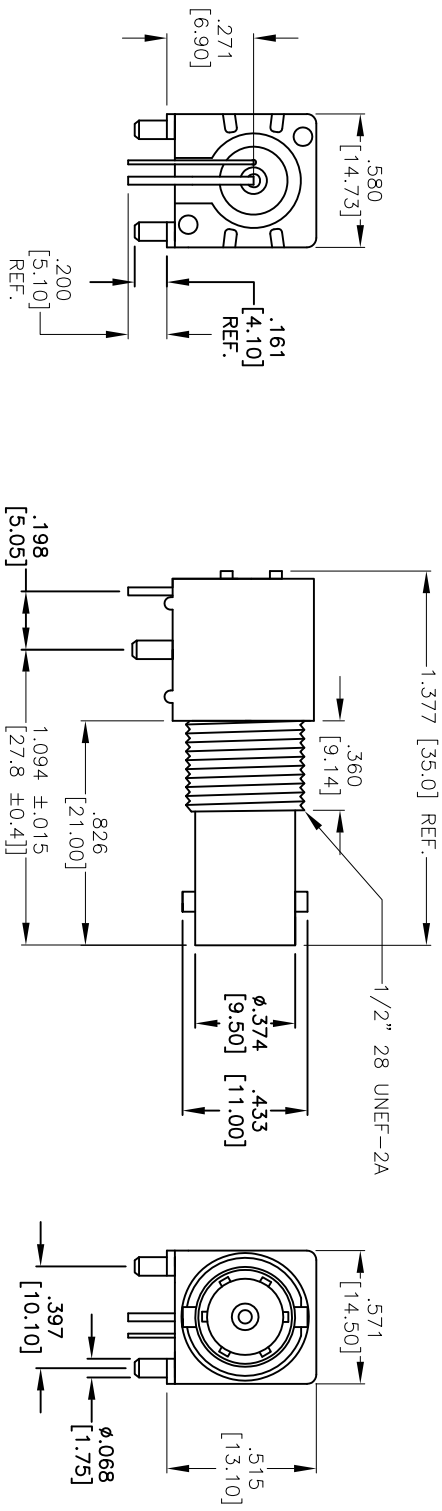


Rev	AWO #	Description	Date	Appr
-		RELEASED	5/26/13	

APPROVED: _____ TITLE: _____

DATE: _____



CONNECTOR SPECIFICATIONS:

MATERIAL:

Shell: Zinc, 80u" ~ 120u" Nickel plated
 Insulator: Polybutylene Terephthalate (PBT), glass reinforced thermoplastic, rated UL94V-0

Insulator Color: Black

Dielectric: POM

Contacts: Phosphor Bronze

PLATING:
 15 uin gold on mating area
 200 uin (min) tin-lead on solder tails

ELECTRICAL:

Operation Voltage: 500 VAC max.
 Impedance: 75 ohms; Frequency Range: 0-4 GHz
 Contact Resistance: Inner: 6 - Outer: 3 mohms
 Insulation Resistance: 5,000 Mohms (min.) @ 1500 VDC between adjacent contacts (75# and 50 % R.H.)
 Dielectric Withstanding Voltage: 1500 VAC (min.) rms
 VSWR: 1.3 Max.

MECHANICAL:

Insertion Force: 0 grms.
 Cable Retention: 60 lbs. (min.)
 Mating Durability: 500 cycles (min.)

ENVIRONMENTAL:

Operating Temperature: -55°C to +155°C
 Environmental:
 Lead free, RoHS compliant.

ADAM TECH

909 Rahway Avenue, Union, NJ 07083
 Phone: 908-687-5000 Fax: 908-687-5710

RIGHT ANGLE BNC CONNECTOR, 75 OHM MACHINE PIN

UNLESS OTHERWISE SPECIFIED ALL DIMENSIONS ARE MM [INCHES] TOLERANCES EXCEPT AS NOTED INCHES	
.X ± .10	ØXX ± .10
.XX ± .020	ØXXX ± .015
.XXX ± .015	ØXXXX ± .010
APPROVALS	
DRAWN AY	5/26/13
CHECKED YC	5/26/13
APPROVED	

TITLE	RIGHT ANGLE BNC CONNECTOR, 75 OHM MACHINE PIN
SIZE	X
PART NO.	RF1-01D-D-00-75-MC
SCALE	NIS
SHEET	1 OF 1