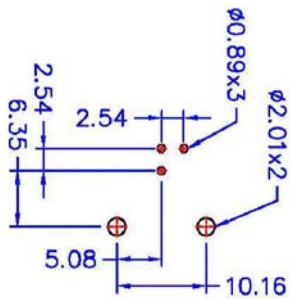
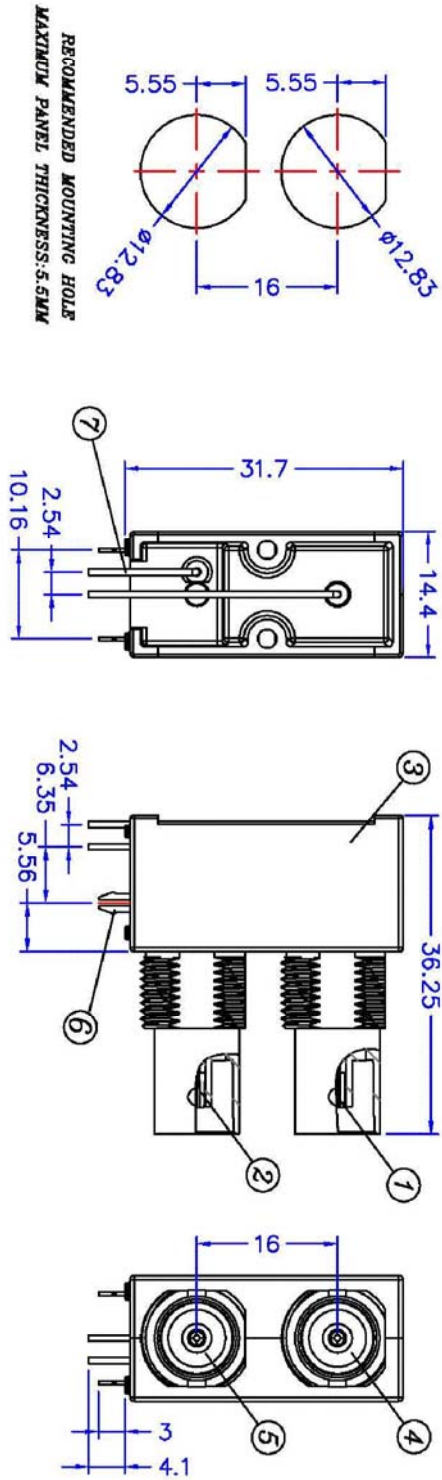


Rev	AWO #	Description	Date	Appr
-		RELEASED	6/3/15	

APPROVED: \_\_\_\_\_ TITLE: \_\_\_\_\_  
 DATE: \_\_\_\_\_



**SPECIFICATIONS**

Material:

- Center Contact: Phosphor Bronze, Gold and Tin plated.
- Center Contact: Phosphor Bronze, Gold plated.
- Body: Zinc Alloy, Nickel Plated
- 4&5. Insulator: PE-606.
- Mounting Post: Bronze,, Nickel Plated
- Solder Tail: Copper Wire, Tin plated.

Electrical:

- Nominal Impedance: 50 ohms
- Frequency range: 0-4 GHz
- Contact Resistance: 3 Milliohms max. (Center Contact) 2 Milliohms max. (Outer Contact)
- Insulator Resistance: 5000 Megohms min.
- Environmental: Lead free, RoHS compliant.



UNLESS OTHERWISE SPECIFIED  
 ALL DIMENSIONS ARE MM [INCHES]  
 TOLERANCES: EXCEPT AS NOTED  
 INCHES HOLES  
 X ± .10 ØXX ± .10  
 XX ± .020 ØXX ± .015  
 .XXX ± .015 ØXXX ± .010

**ADAM TECH**  
 909 Rahway Avenue, Union, NJ 07083  
 Phone: 908-687-5000 Fax: 908-687-5710

TITLE: **DUAL PORT BNC, R/A PCB MOUNT, 50 OHM IMPEDANCE**

APPROVALS	DATE	SIZE	PART NO.	REV.
DRAWN AY	6/3/15	X	RF1-01D-P-00-50-M	
CHECKED YC	6/3/15			
APPROVED		REF: S00049T	SCALE: NTS	SHEET 1 OF 1