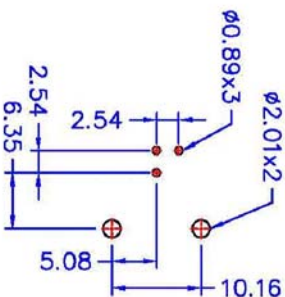
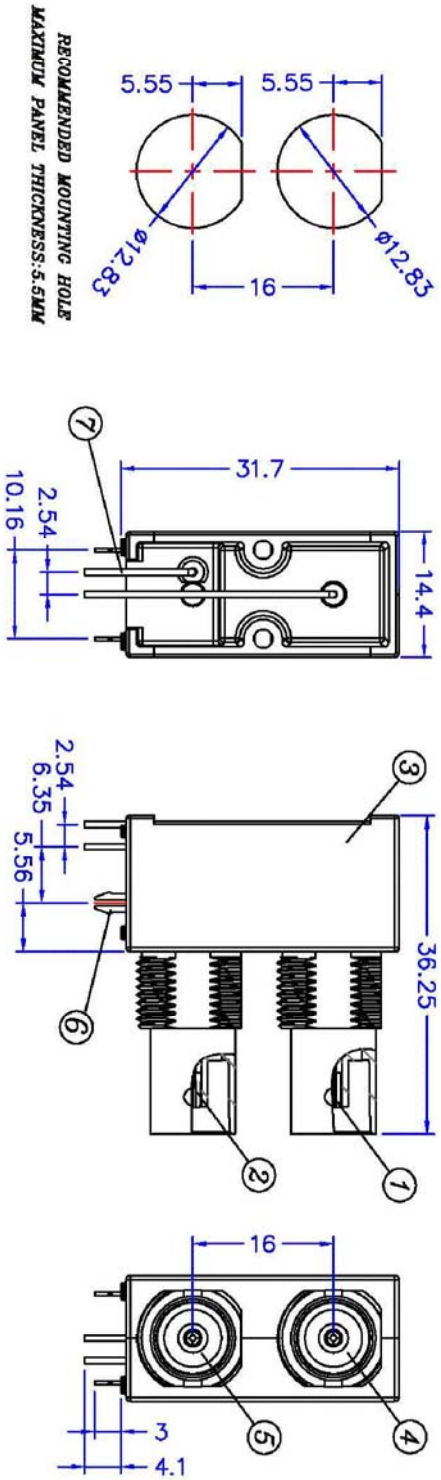


APPROVED: \_\_\_\_\_ TITLE: \_\_\_\_\_  
 DATE: \_\_\_\_\_

Rev	AWO #	Description	Date	Appr
-		Released	12/22/03	
A		REDRAWN	1/25/13	



**SPECIFICATIONS**

Material:

- Center Contact: Phosphor Bronze, Gold and Tin plated.
- Center Contact: Phosphor Bronze, Gold plated.
- Body: Zinc Alloy, Nickel Plated
- Insulator: PE-606.
- Mounting Post: Bronze, Nickel Plated
- Solder Tail: Copper Wire, Tin plated.

Electrical:

- Nominal Impedance: 75 ohms
- Frequency range: 0-1 GHz
- Contact Resistance: 3 Milliohms max. (Center Contact) 2 Milliohms max. (Outer Contact)
- Insulator Resistance: 5000 Megohms min.
- Environmental: Lead free, RoHS compliant.



UNLESS OTHERWISE SPECIFIED ALL DIMENSIONS ARE MM [INCHES] TOLERANCES: EXCEPT AS NOTED	
INCHES	HOLES
X ± .10	ØX ± .10
XX ± .020	ØXX ± .015
XXX ± .015	ØXXX ± .010
APPROVALS	DATE
DRAWN SIS	12/22/03
CHECKED	
APPROVED	

**ADAM TECH**  
 909 Rahway Avenue, Union, NJ 07083  
 Phone: 908-687-5000 Fax: 908-687-5710

TITLE: **DUAL PORT BNC, R/A PCB MOUNT, 75 OHM IMPEDANCE**

SIZE	PART NO.	REV.
X	RF1-01D-P-00-75-M	A
REF:	S00049T	SCALE: NTS
SHEET 1 OF 1		