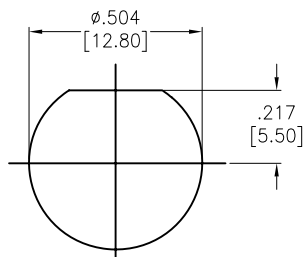
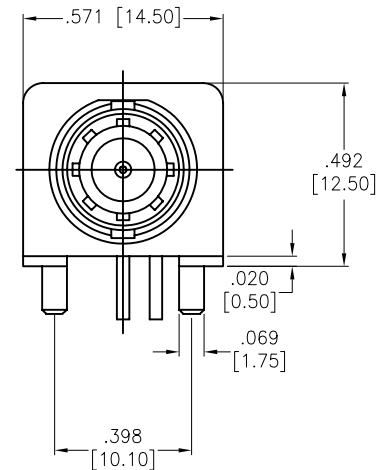
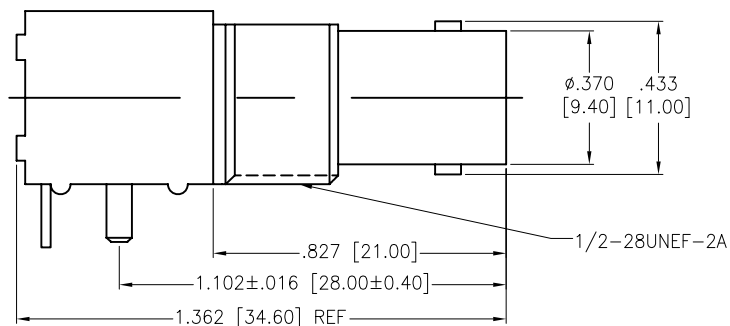
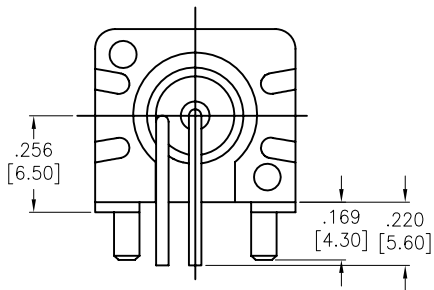
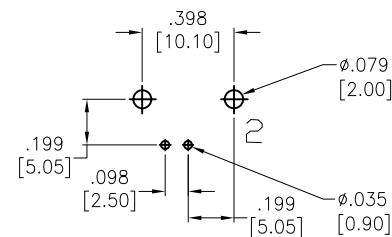


APPROVED: \_\_\_\_\_  
 DATE: \_\_\_\_\_ TITLE: \_\_\_\_\_

Rev	AWO #	Description	Date	Appr
-		RELEASED	8/15/14	
A		ADDED DIM.	11/3/15	AY/SY



RECOMMENDED  
 PANEL CUTOUT



RECOMMENDED PCB LAYOUT

BODY	ZINC	NICKEL
CENTER CONTACT	BRASS	GOLD
LEAD	IRON	GOLD
FIXED FOOTREST	IRON	NICKEL
INSULATOR	POM	WHITE
FIXED MOUNT	ABS	WHITE
WASHER	BRASS	NICKEL
HEX NUT	BRASS	NICKEL
DESCRIPTION	MATERIAL	FINISH

**SPECIFICATIONS:**

Electrical:  
 Nominal Impedance: 50 ohms  
 Frequency range: DC~3G  
 VSWR: 1.3 max.  
 Working Voltage: 500 VRMS @ Sea level  
 Insulator Resistance: 5000 Megohms min.  
 Temperature Rating:  
 -55°C to +155°C  
 Environmental:  
 Lead free, RoHS compliant.



UNLESS OTHERWISE SPECIFIED ALL DIMENSIONS ARE INCHES [MM] TOLERANCES: EXCEPT AS NOTED		<b>ADAM TECH</b> 909 Rahway Avenue, Union, NJ 07083 Phone: 908-687-5000 Fax: 908-687-5710	
INCHES HOLES .X ± .10 Ø.X ± .10 .XX ± .020 Ø.XX ± .015 .XXX ± .015 Ø.XXX ± .010			
APPROVALS		TITLE	
DATE		RIGHT ANGLE BNC CONNECTOR, 50 OHM	
DRAWN	HR	8/15/14	
CHECKED	YC	8/15/14	
APPROVED			
SIZE	PART NO.	REV.	
X	RF1-01E-D-00-50	A	
REF:	S00128C	SCALE:	NTS
		SHEET	1 OF 1