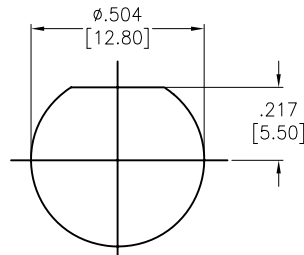
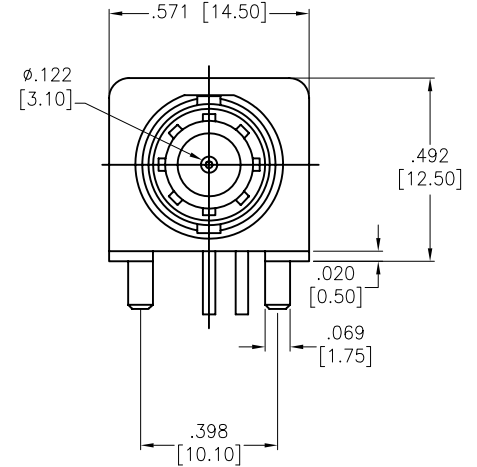
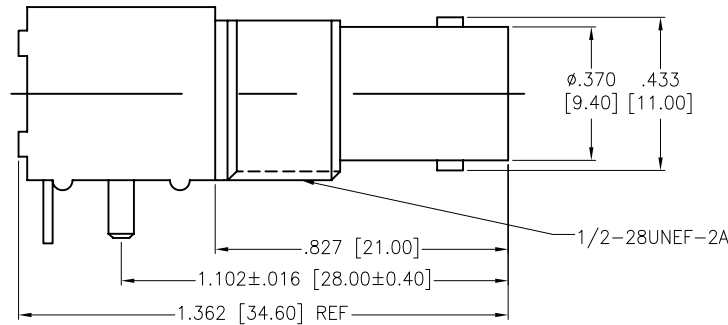
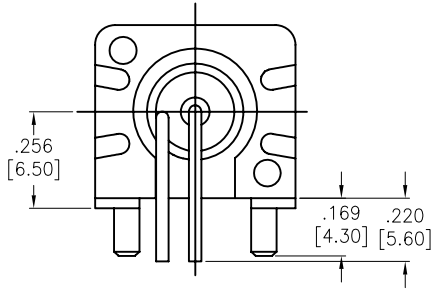
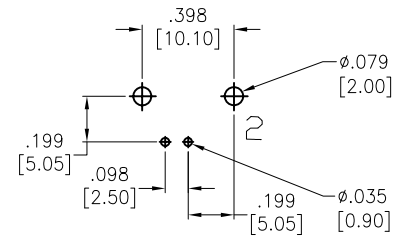


APPROVED: _____
 DATE: _____ TITLE: _____

Rev	AWO #	Description	Date	Appr
-		RELEASED	5/11/15	
A		ADDED DIM.	11/3/15	AY/SY



RECOMMENDED
 PANEL CUTOUT



RECOMMENDED PCB LAYOUT

BODY	ZINC	NICKEL
CENTER CONTACT	BRASS	GOLD
LEAD	IRON	GOLD
FIXED FOOTREST	IRON	NICKEL
INSULATOR	POM	WHITE
FIXED MOUNT	ABS	WHITE
WASHER	BRASS	NICKEL
HEX NUT	BRASS	NICKEL
DESCRIPTION	MATERIAL	FINISH

SPECIFICATIONS:

Electrical:
 Nominal Impedance: 75 ohms
 Frequency range: DC~3G
 VSWR: 1.3 max.
 Working Voltage: 500 VRMS @ Sea level
 Insulator Resistance: 5000 Megohms min.
 Temperature Rating:
 -55°C to +155°C
 Environmental:
 Lead free, RoHS compliant.



UNLESS OTHERWISE SPECIFIED ALL DIMENSIONS ARE INCHES [MM] TOLERANCES: EXCEPT AS NOTED		ADAM TECH 909 Rahway Avenue, Union, NJ 07083 Phone: 908-687-5000 Fax: 908-687-5710	
INCHES HOLES .X ± .10 Ø.X ± .10 .XX ± .020 Ø.XX ± .015 .XXX ± .015 Ø.XXX ± .010			
APPROVALS		TITLE	
DATE		RIGHT ANGLE BNC CONNECTOR, 75 OHM	
DRAWN	HR	5/11/15	
CHECKED	MW	5/11/15	
APPROVED			
SIZE	PART NO.	REV.	
X	RF1-01E-D-00-75	A	
REF:	S00128C	SCALE:	NTS
		SHEET 1 OF 1	