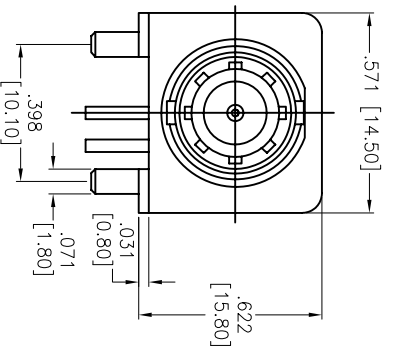
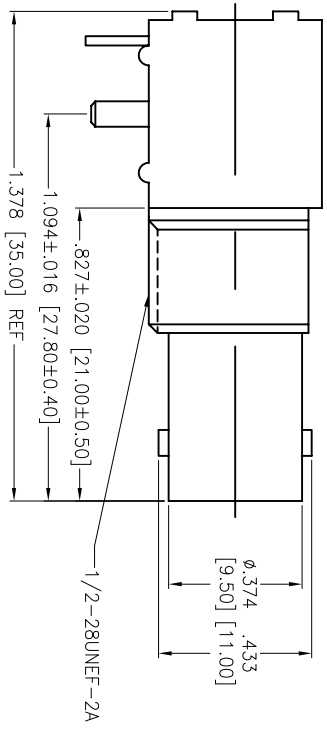
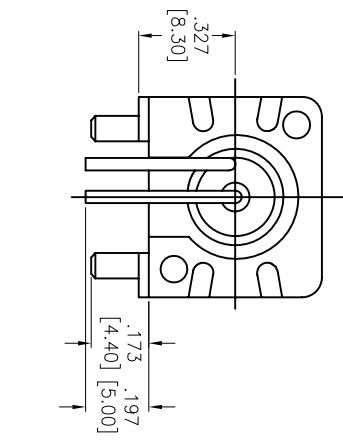


Rev	AWO #	Description	Date	Appr
-		RELEASED	5/8/15	

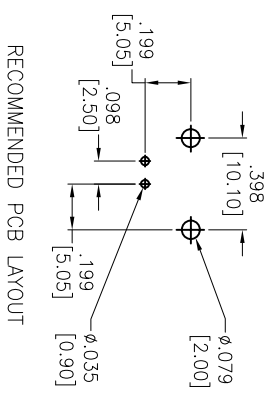
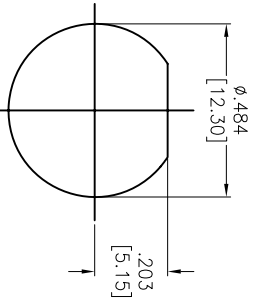
APPROVED: \_\_\_\_\_  
 DATE: \_\_\_\_\_ TITLE: \_\_\_\_\_



BODY	ZINC COPPER	NICKEL
CENTER CONTACT	BRASS	GOLD
LEAD	IRON	GOLD
FIXED FOOTREST	IRON	NICKEL
INSULATOR	POM	WHITE
FIXED MOUNT	PBT	WHITE
DESCRIPTION	MATERIAL	FINISH

**SPECIFICATIONS:**

**Electrical:**  
 Nominal Impedance: 75 ohms  
 Frequency range: DC~3G  
 VSWR: 1.3 max.  
 Dielectric Withstanding Voltage: 500 VRMS.  
 Insulator Resistance: 5000 Megohms min.  
 Temperature Rating:  
 -55°C to +155°C  
**Environmental:**  
 Lead free, RoHS compliant.



RECOMMENDED PCB LAYOUT

UNLESS OTHERWISE SPECIFIED  
 ALL DIMENSIONS ARE INCHES [MM]  
 TOLERANCES: EXCEPT AS NOTED  
 INCHES HOLEES  
 .X ± .10 ØXX ± .10  
 .XX ± .020 ØXXX ± .015  
 .XXX ± .015 ØXXXX ± .010  
 APPROVALS DATE

DRAWN	AY	5/8/15
CHECKED	MW	5/8/15
APPROVED		

**ADAM TECH**

909 Railway Avenue, Union, NJ 07083  
 Phone: 908-687-5000 Fax: 908-687-5710

TITLE: **RIGHT ANGLE BNC CONNECTOR, 75 OHM  
 WHITE INSULATOR**

SIZE	PART NO.	REV.
X	RF1-01G-D-00-75	-
REF:	SCALE: NTS	SHEET 1 OF 1
S00128C		

