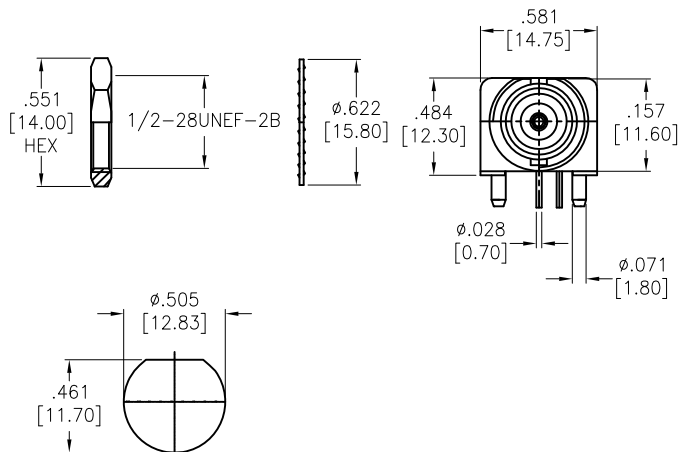


APPROVED: _____
 DATE: _____ TITLE: _____

Rev	AWO #	Description	Date	Appr
-		RELEASED	12/31/15	
A		UPDATE SPEC.	6/17/16	AY/MY

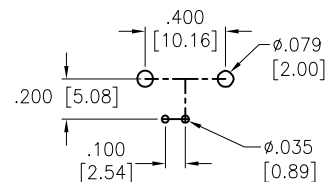
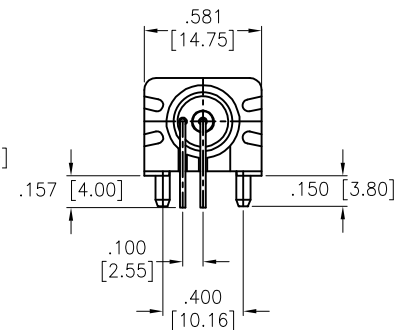
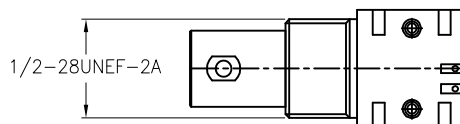
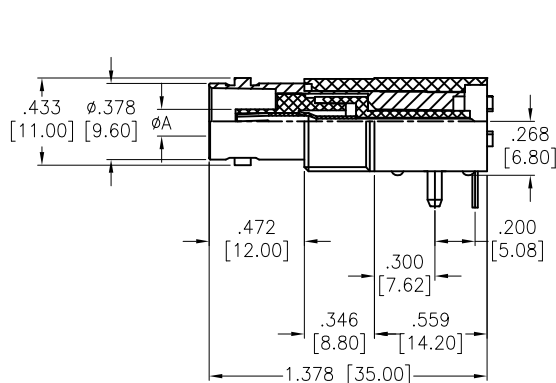


RECOMMENDED MOUNTING HOLE

DESCRIPTION	MATERIAL	FINISH	QTY
HOUSING	PBT	NATURAL	1
NUT	BRASS	NICKEL	1
WASHER	IRON	NICKEL	1
FIXTURE	BRASS	TIN	2
CENTER PIN	PHOSPHOR BRONZE	GOLD	1
CONTACT WIRE	BRASS	TIN	2
INSULATOR	PP	NATURAL	1
INSULATOR	POM	NATURAL	1
BODY	ZINC ALLOY	NICKEL	1

SPECIFICATIONS
 Electrical

Nominal Impedance: 50/75 OHM (± 5 OHM)
 Frequency Range: 0 - 4.0 GHz
 Working Voltage: 500 Vrms
 Contact resistance: Outer Contact: 1.0 MEG OHM
 Center Contact: 1.5 MEG OHM
 Insulation Resistance: > 5000 MEG OHM
 Dielectric Withstanding Voltage: 1500 Vrms.
 Temperature Rating:
 -65°C to +160°C
 Environmental:
 Lead free, RoHS compliant.



RECOMMENDED PCB HOLE

ADAM P/N	DIM. ϕA	IMPEDANCE
RF1-01H-D-00-50-HDW	$\phi .181$ [4.60]	50 ohm
RF1-01H-D-00-75-HDW	$\phi .118$ [3.00]	75 ohm

UNLESS OTHERWISE SPECIFIED
 ALL DIMENSIONS ARE MM [INCHES]
 TOLERANCES: EXCEPT AS NOTED
 INCHES HOLES

.X	$\pm .10$	$\phi .X$	$\pm .10$
.XX	$\pm .020$	$\phi .XX$	$\pm .015$
.XXX	$\pm .015$	$\phi .XXX$	$\pm .010$

APPROVALS		DATE
DRAWN	AY	12/31/15
CHECKED	YC	12/31/15
APPROVED		

ADAM TECH

909 Rahway Avenue, Union, NJ 07083
 Phone: 908-687-5000 Fax: 908-687-5710

TITLE			
RF CONNECTOR, TYPE BNC RIGHT ANGLE, PCB, 50 or 75 OHM			
SIZE	PART NO.	REV.	
X	RF1-01H-D-00-XX-HDW	A	
REF:	S00049T	SCALE:	NTS
		SHEET 1 OF 1	