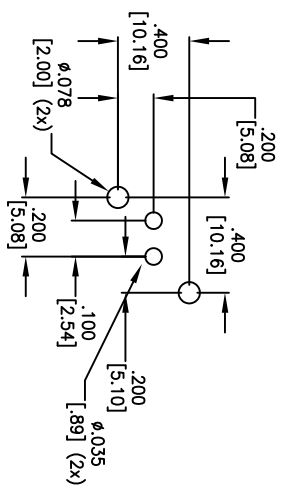
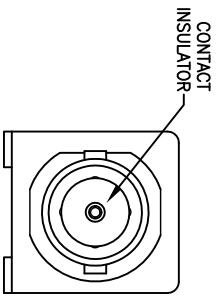
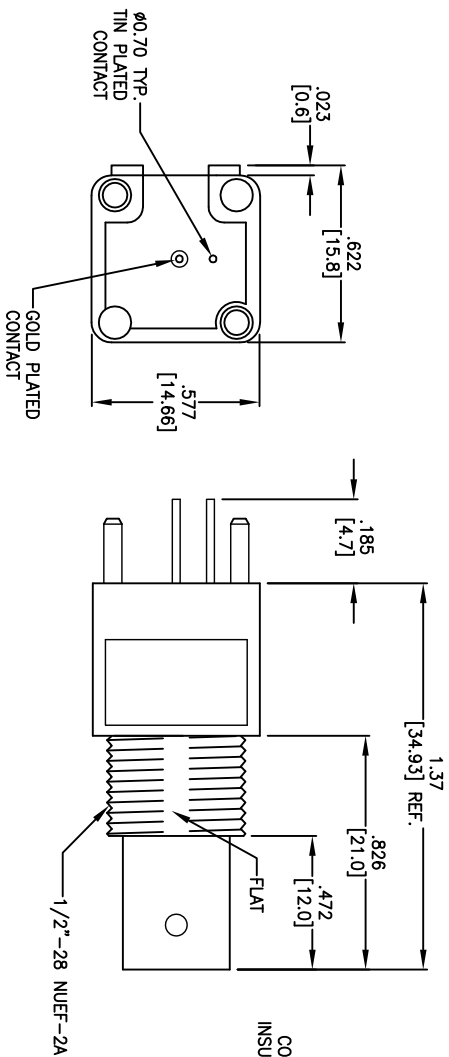
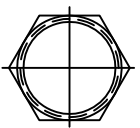
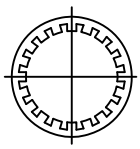


Rev	AWO #	Description	Date	Appr
-		RELEASED	11/17/14	

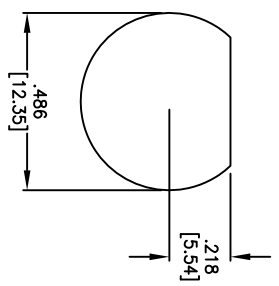
APPROVED: _____
 DATE: _____ TITLE: _____



RECOMMENDED
 PC Board Layout
 Right Angle Mount



LOCK WASHER
 IRON, NICKEL PLATE
 NUT CLAMP, 1/2-28
 BRASS, NICKEL PLATE



RECOMMENDED
 PANEL CUTOUT
 MAXIMUM PANEL THICKNESS: .216 [5.50]
 RECOMMENDED MOUNTING TORQUE:
 12 INCH-POUNDS MAX.

SPECIFICATIONS

- Material:
- Housing: Metal
- Contact insulation: Polypropylene, color white.
- Contacts: Phosphor Bronze, Tin plated.
- Body: Zinc Alloy, Nickel plated
- Electrical
 - Nominal Impedance: 50 Ohms
 - Frequency Range: 0 – 4 GHz
 - Maximum Peak Voltage: 500V
 - Insulation Resistance: 5000 Mohms min @ 500 VDC
 - Dielectric Withstanding Voltage: 1500 VAC rms.
 - Temperature Rating:
 - Operating temperature: -55°C to +85°C
- Environmental:
 - Lead free, RoHS compliant.

UNLESS OTHERWISE SPECIFIED ALL DIMENSIONS ARE MM [INCHES]	
TOLERANCES: EXCEPT AS NOTED	
INCHES	HOLES
.X ± .10	ØX ± .10
.XX ± .020	ØXXX ± .015
.XXX ± .015	ØXXX ± .010
APPROVALS	DATE
DRAWN AY	11/17/14
CHECKED LW	11/17/14
APPROVED	

ADAM TECH
 909 Railway Avenue, Union, NJ 07083
 Phone: 908-687-5000 Fax: 908-687-5710

TITLE: BNC, VERTICAL, 50 OHM
 WITH HARDWARE

SIZE	PART NO.	SCALE	SHEET 1 OF 1
X	RF1-01V-P-00-50-M-HDW	INTS	
REF: S00049T			