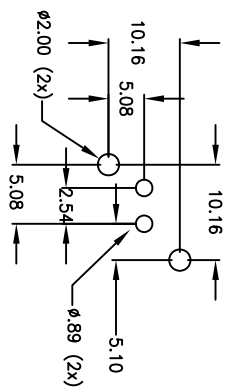
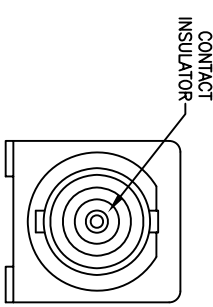
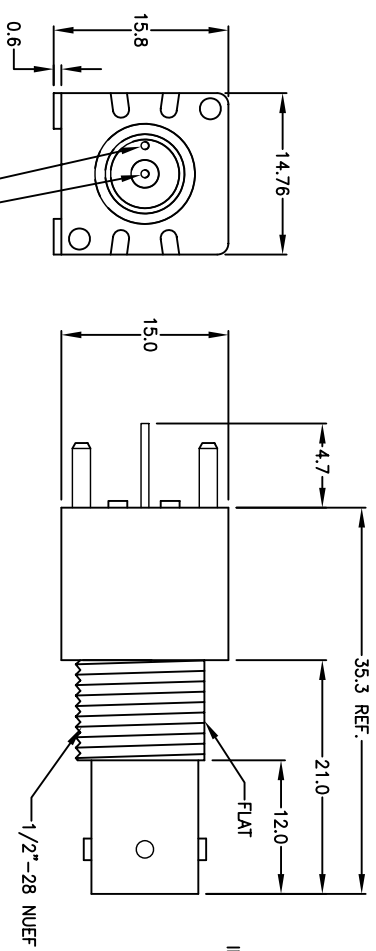


Rev	AWO #	Description	Date	Appr
-		RELEASED	2/7/06	

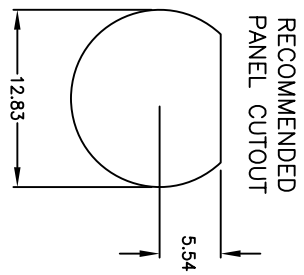
APPROVED: \_\_\_\_\_  
 DATE: \_\_\_\_\_ TITLE: \_\_\_\_\_



RECOMMENDED  
 PC Board Layout  
 Right Angle Mount

**SPECIFICATIONS**

- Material: PBT, Color Black
- Housing: Polypropylene, color black.
- Contact: Phosphor Bronze, Tin plated.
- Body: Zinc Alloy, Nickel plated
- Electrical
  - Nominal Impedance: 50 Ohms
  - Frequency Range: 0 – 4 GHz
  - Maximum Peak Voltage: 500V
  - Insulation Resistance: 5000 Mohms min @ 500 VDC
  - Dielectric Withstanding Voltage: 1500 VAC rms.
- Environmental: Lead free, RoHS compliant.



**ADAM TECH**  
 909 Railway Avenue, Union, NJ 07083  
 Phone: 908-687-5000 Fax: 908-687-5710

TITLE: BNC, VERTICAL, 50 OHM

UNLESS OTHERWISE SPECIFIED ALL DIMENSIONS ARE MM [INCHES]	
TOLERANCES: EXCEPT AS NOTED	HOLDS
.X ± .10	ØXX ± .10
.XX ± .020	ØXXX ± .015
.XXX ± .015	ØXXXX ± .010
APPROVALS	DATE
DRAWN: BAS	2/7/06
CHECKED	
APPROVED	

SIZE: X	PART NO.: RF1-01V-P-00-50	REV: -
REF:	SCALE: NTS	SHEET 1 OF 1