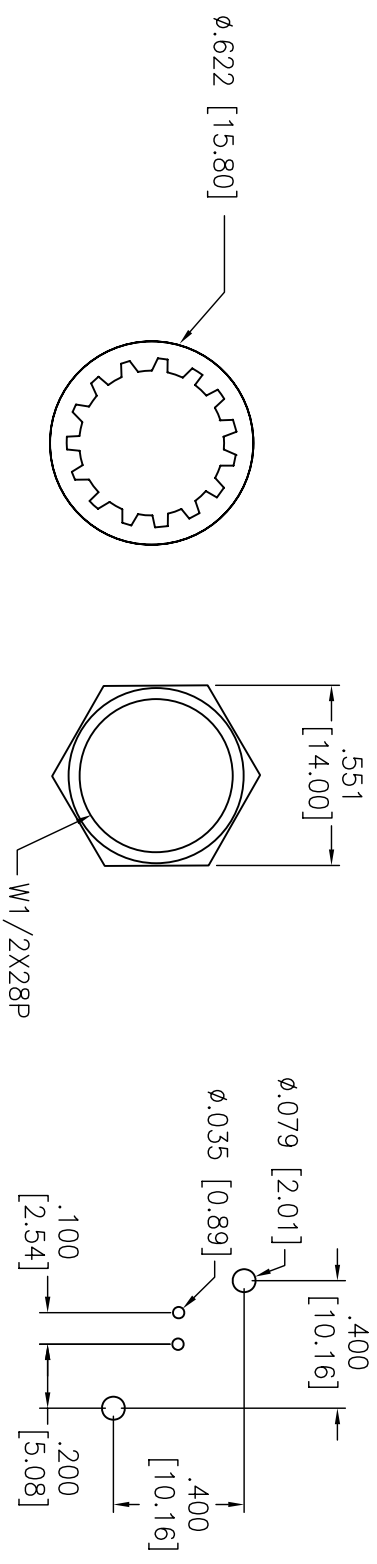
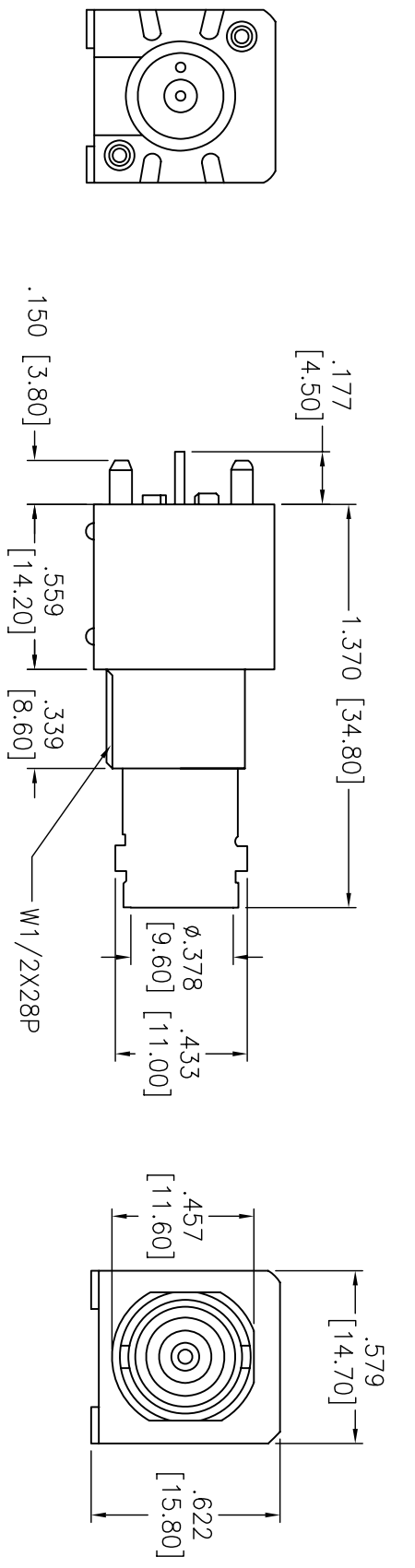


Rev	AWO #	Description	Date	Appr
-		RELEASED	5/26/08	

APPROVED: \_\_\_\_\_  
 DATE: \_\_\_\_\_ TITLE: \_\_\_\_\_



**SPECIFICATIONS**  
 Material: Body: PBT, rated UL94V-0  
 Contact insulation: Polypropylene, color Black.  
 Contacts: Phosphor Bronze, Gold and Tin plated.

Recommended PCB Layout

**Electrical**  
 Nominal Impedance: 75 Ohms  
 Frequency Range: 0 – 4 GHz  
 Maximum Peak Voltage: 500V  
 Insulation Resistance: 5000 Mohms min @ 500 VDC  
 Dielectric Withstanding Voltage: 1500 VAC rms.  
**Environmental:**  
 Lead free, RoHS compliant.  
 Recommended soldering temp: 235°C for 5 sec.



UNLESS OTHERWISE SPECIFIED ALL DIMENSIONS ARE MM [INCHES] TOLERANCES: EXCEPT AS NOTED		INCHES		HOLES	
.X	± .10	ØXX	± .10	ØXXX	± .015
.XX	± .020	ØXXX	± .015	ØXXX	± .010
.XXX	± .015	ØXXX	± .010		
APPROVALS		DATE		TITLE	
DRAWN	DY	5/26/08		BNC, STRAIGHT FEMALE PCB MOUNT, 75 ohm	
CHECKED				ADAM TECH	
APPROVED				909 Railway Avenue, Union, NJ 07083	
				Phone: 908-687-5000 Fax: 908-687-5710	
SIZE		PART NO.		REV.	
X		RF1-01V-P-00-75-HDW		-	
REF:		SCALE: NTS		SHEET 1 OF 1	

6 5 4 3 2 1