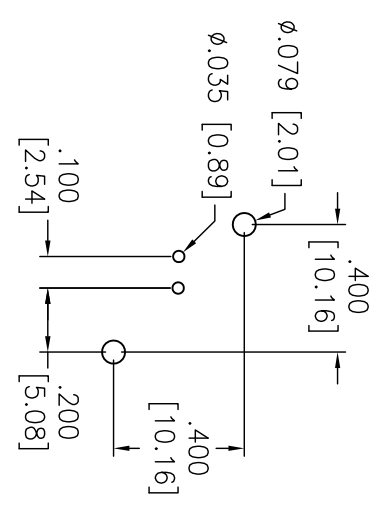
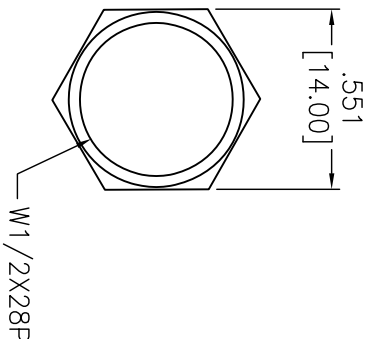
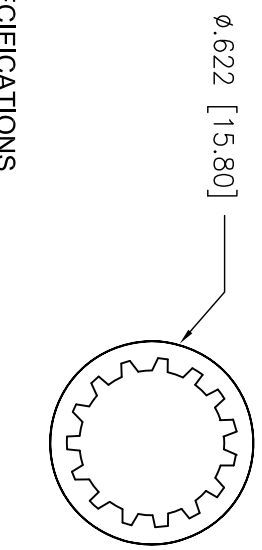
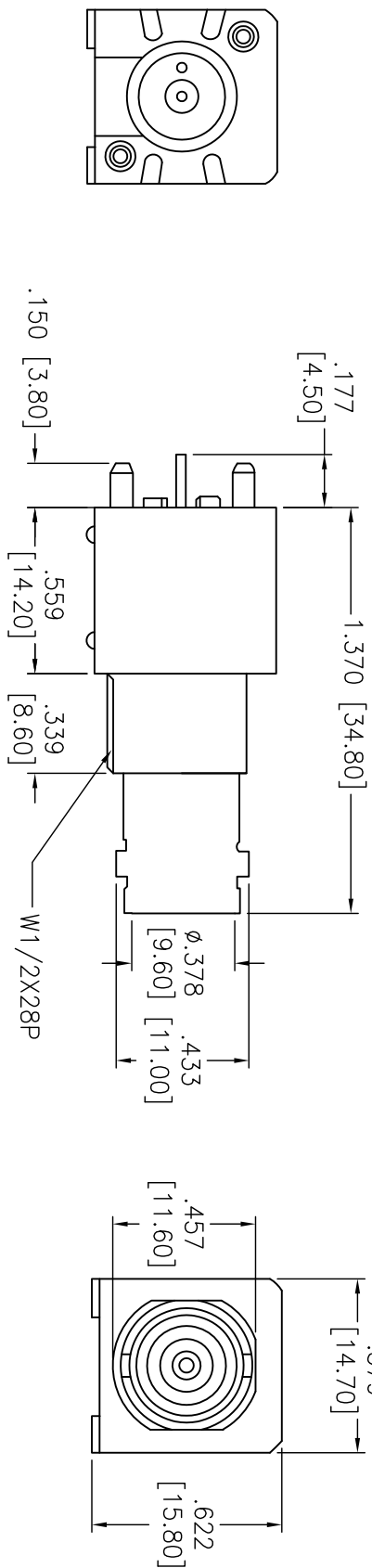


APPROVED: \_\_\_\_\_  
 DATE: \_\_\_\_\_ TITLE: \_\_\_\_\_

Rev	AWO #	Description	Date	Appr
-		RELEASED	5/26/08	
A		ADDED OPERATING TEMPERATURE	9/26/13	AV/GC



Recommended PCB Layout

**SPECIFICATIONS**

**Material:**  
 Body: PBT, rated UL94V-0  
 Contact insulation: Polypropylene, color white.  
 Contacts: Phosphor Bronze, Gold and Tin plated.

**Electrical**  
 Nominal Impedance: 75 Ohms  
 Frequency Range: 0 – 4 GHz  
 Maximum Peak Voltage: 500V  
 Insulation Resistance: 5000 Mohms min @ 500 VDC  
 Dielectric Withstanding Voltage: 1500 VAC rms.

**Temperature Rating:**  
 Operating temperature: -55°C to +85°C

**Environmental:**  
 Lead free, RoHS compliant.

UNLESS OTHERWISE SPECIFIED ALL DIMENSIONS ARE MM [INCHES] TOLERANCES: EXCEPT AS NOTED	
.X	± .10
.XX	± .020
.XXX	± .015
.XXX	± .010

ADAM TECH	
909 Railway Avenue, Union, NJ 07083	
Phone: 908-687-5000 Fax: 908-687-5710	
TITLE: BNC, STRAIGHT FEMALE PCB MOUNT, 75 ohm	
DATE: 5/26/08	REV: A

APPROVALS	DATE	SIZE	PART NO.	REV.
DRAWN	DY	5/26/08	RF1-01V-P-00-75-WT-HDW	A
CHECKED				
APPROVED				

