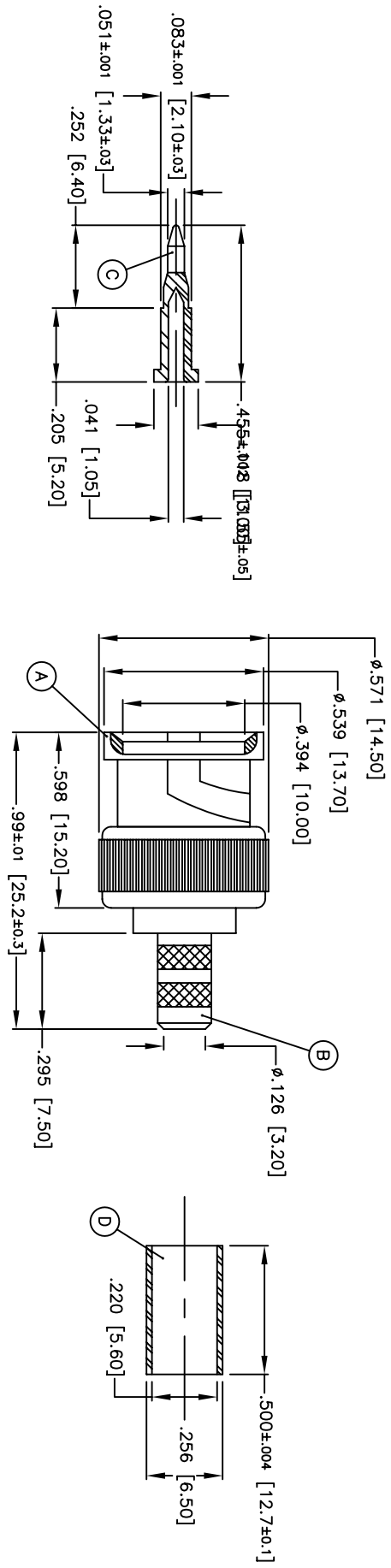


Rev	AWO #	Description	Date	Appr
-		RELEASED	8/19/05	

APPROVED: \_\_\_\_\_  
 DATE: \_\_\_\_\_ TITLE: \_\_\_\_\_



A	SHELL	BRASS	1
B	BODY	BRASS	1
C	PIN	BRASS	1
D	RING	BRASS	1

**SPECIFICATIONS:**

**MATERIAL:**  
 Housing: Brass  
 Insulator: Teflon  
 Contacts: Brass

**ELECTRICAL:**  
 Frequency range: 0-4 GHz  
 Voltage rating: 500 Volts AC  
 VSWR: 1.2 max 0-2 GHz  
 Impedance: 50 OHMS  
 Contact resistance: Center: 3 Mohm @ 1 A DC  
 Insulation resistance: 5000 M min @ 1500 VDC between adjacent contacts (75°F and 50% R.H.)

**Environmental:**  
 Lead free, RoHS compliant.  
 Recommended soldering temp: 230 for 5 sec.



UNLESS OTHERWISE SPECIFIED  
 ALL DIMENSIONS ARE INCHES [MM]  
 TOLERANCES: EXCEPT AS NOTED  
 INCHES HOLES  
 .X ± .10 Ø.X ± .10  
 .XX ± .020 Ø.XXX ± .015  
 .XXX ± .015 Ø.XXXX ± .010

**ADAM TECH**  
 909 Rahway Avenue, Union, NJ 07083  
 Phone: 908-687-5000 Fax: 908-687-5710

TITLE: MALE BNC CRIMP CONNECTOR  
 RG174 / RG188A / RG316

APPROVALS	DATE
DRAWN	SS
CHECKED	
APPROVED	

SIZE	PART NO.	REV.
X	RF1-03-02-T-50	
REF:	SCALE: NTS	SHEET 1 OF 1