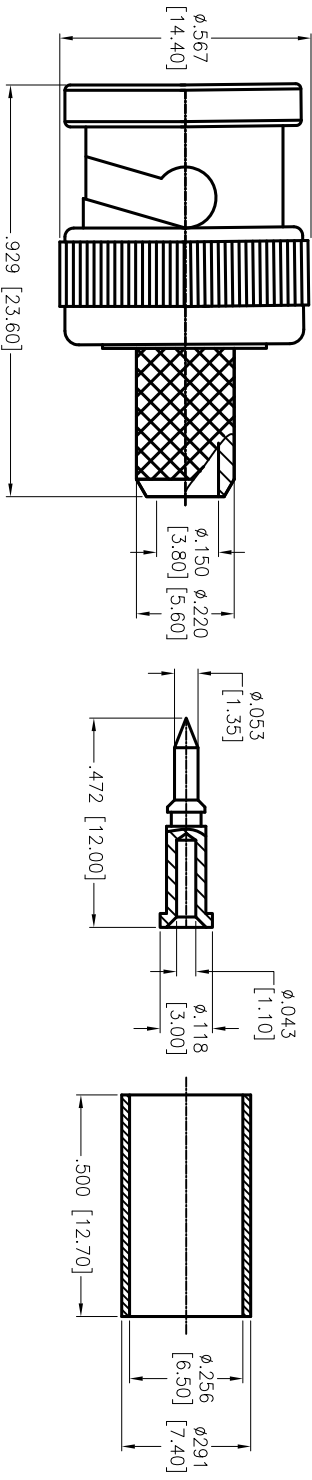


Rev	AWO #	Description	Date	Appr
-		RELEASED	5/20/15	

6 5 4 3 2 1

APPROVED: _____

DATE: _____ TITLE: _____



INSULATOR	ABS	NONE
BODY	BRASS	NICKEL
CENTER CONTACT	BRASS	GLOD
DESCRIPTION	MATERIAL	FINISH

Electrical:

Nominal Impedance: 75 ohms

Frequency range: 0-4 GHz

Contact Resistance: 3 Milliohms max. (Center Contact)

2 Milliohms max. (Outer Contact)

Insulator Resistance: 5000 Megohms min.

Environmental:

Lead free, RoHS compliant.



ADAM TECH

909 Rahway Avenue, Union, NJ 07083
 Phone: 908-687-5000 Fax: 908-687-5710

TITLE: BNC CONNECTOR, MALE, VERTICAL, RG59/U

XX OHM, ABS

UNLESS OTHERWISE SPECIFIED ALL DIMENSIONS ARE INCHES [MM]	
TOLERANCES: EXCEPT AS NOTED	HOLE SIZES
.X ± .10	ØXX ± .10
.XX ± .020	ØXXX ± .015
.XXX ± .015	ØXXXX ± .010
APPROVALS	DATE
DRAWN AY	5/20/15
CHECKED LW	5/20/15
APPROVED	

SIZE X	PART NO.	REV.
REF: S00243T	RF1-03-A-04-75	-
SCALE: NTS	SHEET 1 OF 1	

6 5 4 3 2 1