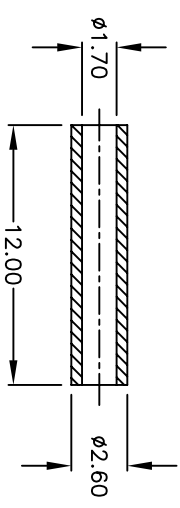
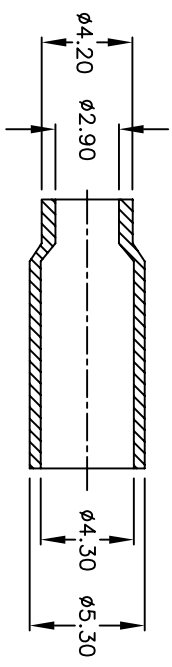
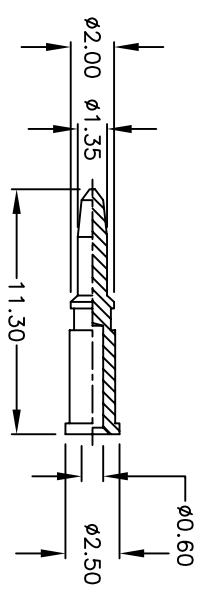
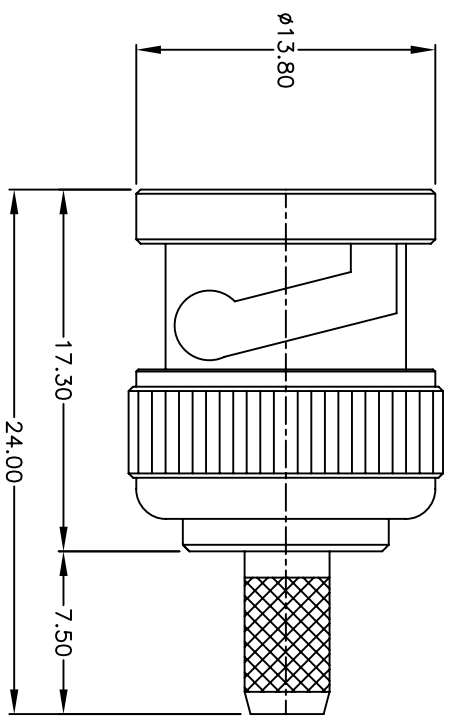


Rev	AWO #	Description	Date	Appr
-	8383	RELEASED	1/28/08	

APPROVED: \_\_\_\_\_  
 DATE: \_\_\_\_\_ TITLE: \_\_\_\_\_



DESCRIPTION	MATERIAL	FINISH	QTY
FERRULE	BRASS	NICKEL	1
PIN	BRASS	GOLD	1
BODY	BRASS	NICKEL	1
WASHER	IRON	NICKEL	1
SPRING	SK-5	NICKEL	1
RETAINING RING	SK-5	NICKEL	1
GASKET	RUBBER	ORANGE	1
INSULATOR	DELIRIN	BLACK	1
SHELL	ZINC	NICKEL	1

SPECIFICATIONS:  
 ELECTRICAL:  
 Frequency range: 0-4 GHz  
 Voltage rating: 500 Volts AC  
 VSWR: 1.2 max 0-2 GHz  
 Impedance: 50 OHMS  
 Environmental:  
 Lead free, RoHS compliant.



**ADAM TECH**  
 909 Railway Avenue, Union, NJ 07083  
 Phone: 908-687-5000 Fax: 908-687-5710

TITLE: BNC, MALE CRIMP,  
 50 OHM

UNLESS OTHERWISE SPECIFIED ALL DIMENSIONS ARE INCHES [MM] TOLERANCES: EXCEPT AS NOTED INCHES .X ± .10 Ø.X ± .10 .XX ± .020 Ø.XX ± .015 .XXX ± .015 Ø.XXX ± .010	
APPROVALS	DATE
DRAWN	SS
CHECKED	1/28/08
APPROVED	

SIZE	PART NO.	REV.
X	RF1-03-D-02-50	
REF:	SCALE: NTS	SHEET 1 OF 1