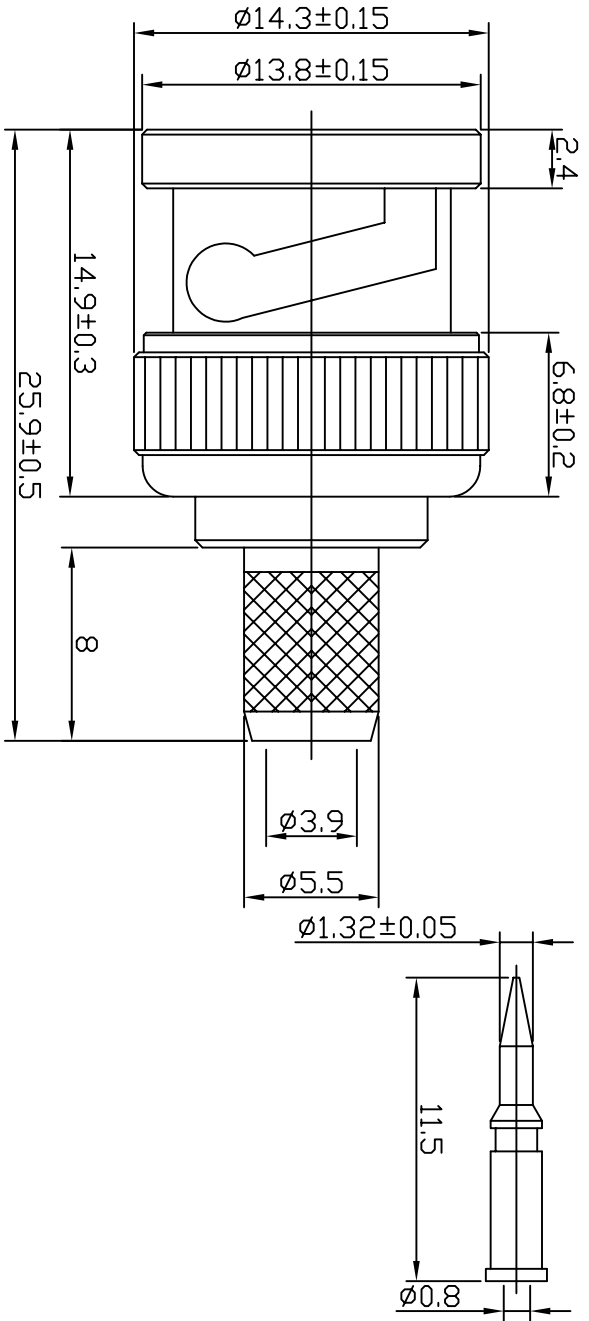


Rev	AWO #	Description	Date	Appr
-		RELEASED	8/19/05	

APPROVED: _____
 DATE: _____ TITLE: _____



NO	DESCRIPTION	MATERIAL	FINISH	QTY
3	SLEEVE	BRASS	NICKEL	1
2	CENTER CONTACT BODY	BRASS	GOLD	1
	WASHER	ZINC	NICKEL	1
	WASHER	IRON	NICKEL	1
	SPRING	65Mn	NONE	1
1	OUT CONTACT	ZINC	NICKEL	1
	RUBBER WASHER	PVC	NONE	1
	INSULATOR	PDM	NONE	1
	SHELL	ZINC	NICKEL	1

UNLESS OTHERWISE SPECIFIED
 ALL DIMENSIONS ARE INCHES [MM]
 TOLERANCES: EXCEPT AS NOTED
 INCHES: .10 ±.10
 .XX ±.020
 .XXX ±.015
 HOLES: .10 ±.10
 .XX ±.015
 .XXX ±.010

ADAM TECH
 909 Rahway Avenue, Union, NJ 07083
 Phone: 908-687-5000 Fax: 908-687-5710

ELECTRICAL:
 Frequency range: 0-4 GHz
 Voltage rating: 500 Volts AC
 VSWR: 1.2 max 0-2 GHz
 Impedance: 75 OHMS
 Environmental:
 Lead free, RoHS compliant.



APPROVALS	DATE	TITLE	SIZE	PART NO.	REV.
DRAWN	SS	8/19/05	X	RF-1-03-D-04-75	1
CHECKED					
APPROVED					

6 5 4 3 2 1