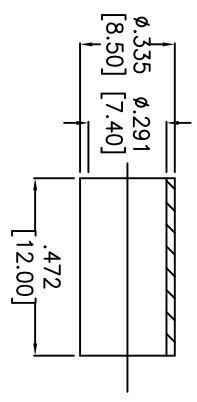
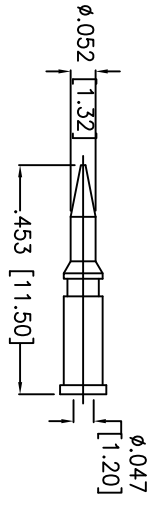
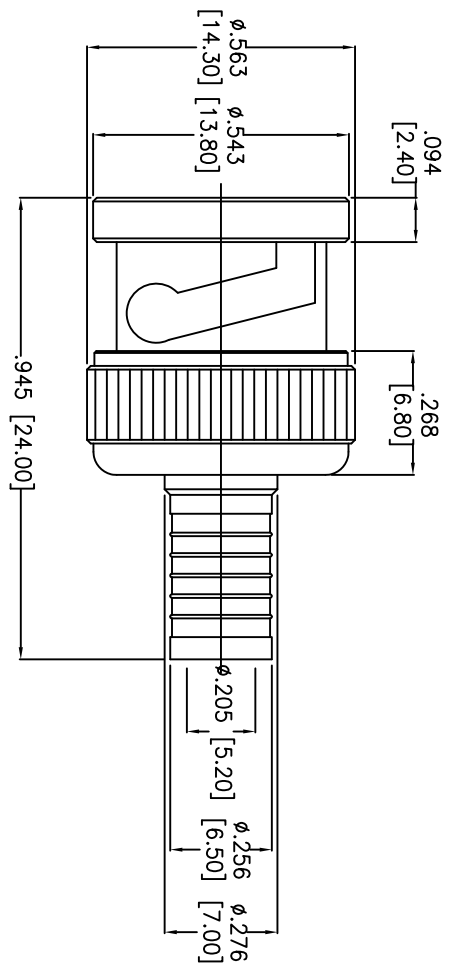


Rev	AWO #	Description	Date	Appr
-	9782	RELEASED	10/07/09	

APPROVED: _____
 DATE: _____ TITLE: _____



RING	BRASS	NICKEL	1
PIN	BRASS	GOLD	1
BODY	ZINC	NICKEL	1
WASHER	IRON	NICKEL	1
SPRING	65Mn	NONE	1
RUBBER WASHER	PVC	RED	1
SHELL	ZINC	NICKEL	1
INSULATOR	POM	NONE	1
DESCRIPTION	MATERIAL	FINISH	QTY

SPECIFICATIONS:

Electrical:
 Impedance: 93 ohms
 Frequency range: 0-4 GHz
 Working Voltage: 500 VRMS max.
 Dielectric Withstanding Voltage: 1500 VRMS min.
 Contact Resistance: 3 Milliohms max. (Center Contact)
 2 Milliohms max. (Outer Contact)
 Insulator Resistance: 5000 Megohms min.
 Environmental:
 Lead free, RoHS compliant.



ADAM TECH
 909 Ratway Avenue, Union, NJ 07083
 Phone: 908-687-5000 Fax: 908-687-5710

TITLE: BNC MALE CRIMP TYPE, 930HMS

SIZE PART NO. REF: S00049T
RF1-03-D-05-93

UNLESS OTHERWISE SPECIFIED ALL DIMENSIONS ARE INCHES [MM]	
TOLERANCES: EXCEPT AS NOTED	
.X ± .10	Ø.X ± .10
.XX ± .020	Ø.XXX ± .015
.XXX ± .015	Ø.XXX ± .010
APPROVALS	
DRAWN	DATE
DY	10/07/09
CHECKED	
APPROVED	