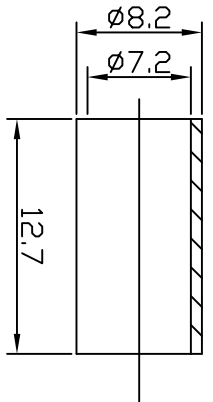
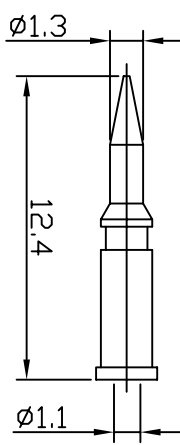
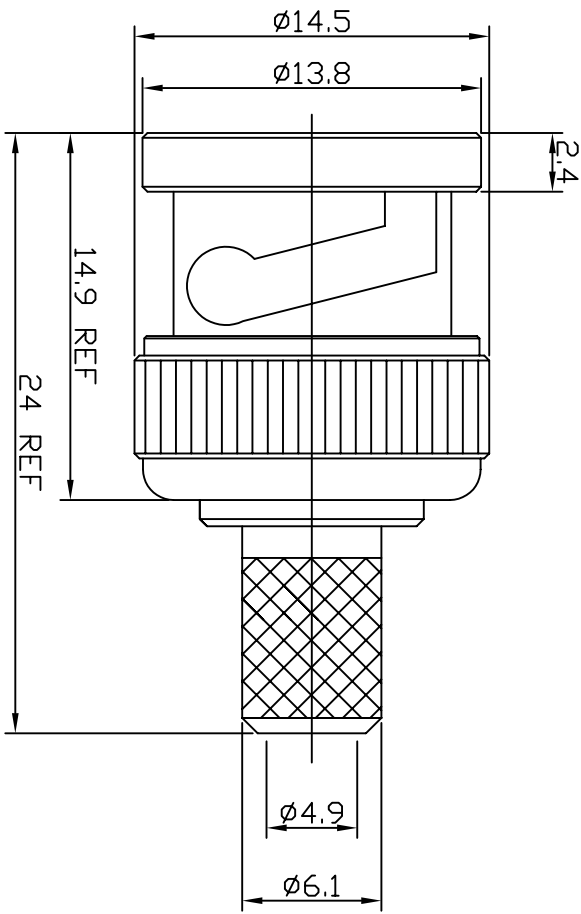


Rev	AWO #	Description	Date	Appr
-		RELEASED	8/19/05	

APPROVED: _____ TITLE: _____
 DATE: _____



DESCRIPTION	MATERIAL	FINISH	QTY
FERRULE	BRASS	NICKEL	1
CENTER CONTACT	BRASS	GOLD	1
BODY	BRASS	NICKEL	1
WASHER	SS42	NICKEL	1
SPRING	SK5	NICKEL	1
C-RING	SS41	NICKEL	1
RUBBER GASKET	RUBBER	RED	1
INSULATOR	DELTRIN	WHITE	1
SHELL	BRASS	NICKEL	1

UNLESS OTHERWISE SPECIFIED
 ALL DIMENSIONS ARE INCHES [MM]
 TOLERANCES: EXCEPT AS NOTED

INCHES	HOLES
.X ± .10	Ø.X ± .10
.XX ± .020	Ø.XX ± .015
.XXX ± .015	Ø.XXX ± .010

APPROVALS	DATE
DRAWN	SS
CHECKED	
APPROVED	

ADAM TECH
 909 Rahway Avenue, Union, NJ 07083
 Phone: 908-687-5000 Fax: 908-687-5710

TITLE	SIZE	PART NO.	REV.
BNC MALE CRIMP, 75 OHM FOR RG-6U PLENUM, B1695A	X	RF-1-03-D-05P-75	

ELECTRICAL:
 Frequency range: 0-4 GHz
 Voltage rating: 500 Volts AC
 VSWR: 1.2 max 0-2 GHz
 Impedance: 75 OHMS
 Environmental:
 Lead free, RoHS compliant.

